



fischertechnik 

PROFI

Bauanleitung
Assembly instruction
Instructions de montage
Bouwhandleiding
Instrucciones de construcción
Manual de montagem
Istruzioni di montaggio
Инструкция по сборке
安装说明书

Didactic Information
www.fischertechnik-eLearning.com
free download 

eLearning
Portal



Hydraulic

5 MODELS



- Mit dem fischertechnik eLearning Portal geben wir Ihnen die Möglichkeit, noch mehr Hintergrundwissen zum Thema des Baukastens zu erhalten. Über **www.fischertechnik-elearning.com** gelangen Sie direkt zum eLearning Portal.
- With the fischertechnik eLearning portal, we are giving you the opportunity to obtain even more background knowledge on the topic of the construction set. You can access the eLearning portal directly via **www.fischertechnik-elearning.com**.
- Avec le portail eLearning de fischertechnik, vous pouvez parfaire vos connaissances au sujet de la boîte de construction. Cliquez sur **www.fischertechnik-elearning.com** pour accéder directement à notre portail.
- Met het fischertechnik eLearning portaal geven wij u de mogelijkheid, nog meer achtergrondkennis over het thema van het modulaire systeem te verkrijgen. Via **www.fischertechnik-elearning.com** komt u direct bij het eLearning portaal.
- Con el portal de aprendizaje electrónico de fischertechnik le ofrecemos la oportunidad de obtener más conocimientos básicos sobre el tema de los módulos. A través de **www.fischertechnik-elearning.com** podrá acceder directamente al portal de aprendizaje electrónico.
- Com o portal de eLearning da fischertechnik damos lhe a possibilidade de obter ainda mais conhecimentos aprofundados sobre os kits de construção. Em **www.fischertechnik-elearning.com** pode aceder diretamente ao portal de eLearning.
- Con il portale eLearning di fischertechnik vi diamo la possibilità di accumulare maggiori informazioni di base sul tema delle scatole di montaggio. Tramite **www.fischertechnik-elearning.com** potete raggiungere direttamente il portale eLearning.
- Обучающий Интернет-портал компании fischertechnik предлагает вам возможность получить больше базовых знаний по теме конструирования. По ссылке **www.fischertechnik-elearning.com** вы попадаете прямо на обучающий Интернет-портал.
- 通过 fischertechnik eLearning 电子学习门户网站，我们为您提供更多关于积木的背景知识。登陆 **www.fischertechnik-elearning.com** 访问我们的 eLearning 门户网站。



- Werde Mitglied im kostenlosen fischertechnik Fan Club und nutze die Vorteile. Melde dich hierzu einfach unter **www.fischertechnik.de/FanClub** an.
- Become a member of the free fischertechnik fan club and take advantage of the benefits. Simply register at **www.fischertechnik.de/FanClub**
- Deviens membre du Fan club fischertechnik gratuit et profite de nombreux avantages. Il suffit de t'inscrire sur **www.fischertechnik.de/FanClub**.
- Word lid van de gratis fischertechnik Fan Club en maak gebruik van de voordelen. Meldt u hiervoor aan op **www.fischertechnik.de/FanClub**.
- Hazte miembro del club de aficionados gratuito de fischertechnik y disfruta de todas las ventajas. Regístrate en **www.fischertechnik.de/FanClub**.
- Torne-se um membro do fã-clube gratuito da Fischertechnike aproveite-a. Basta registrar-se em **www.fischertechnik.de/FanClub**.
- Diventa membro del fan club gratuito di fischertechnik e sfrutta tutti i vantaggi. Basta registrarsi a **www.fischertechnik.de/FanClub**.
- Стань членом бесплатного фан-клуба fischertechnik и пользуйся преимуществами. Для этого просто зарегистрируйся по адресу **www.fischertechnik.de/FanClub**.
- x免费加入慧鱼粉丝俱乐部 (fischertechnik Fan Club) 会员，即刻享受会员福利。只需前往 **www.fischertechnik.de/FanClub** 完成注册即可。

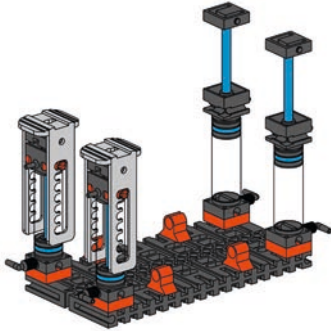
Inhalt
Contents
Contenu

Inhoud
Contenido
Conteúdo

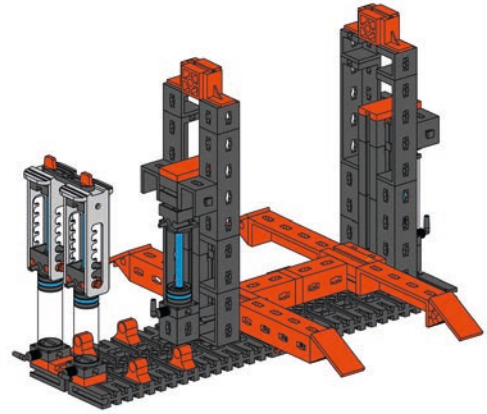
Contenuto
Содержание
目录

Einzelteilübersicht / Spare parts list / Liste des pièces détachées / Onderdelenoverzicht / Lista da piezas / Resumo de peça individual /
Singoli componenti / Перечень деталей / 零件概览 2

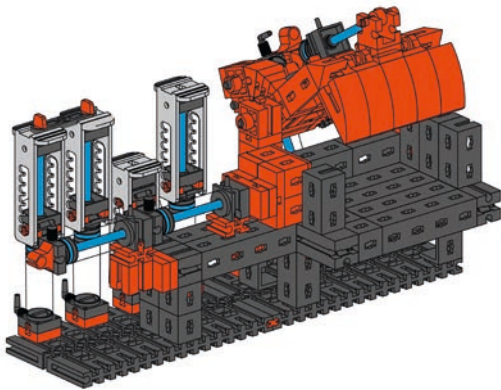
Montagetips / Tips for assembly / Tuyaux pour le montage / Montagetips / Consejos para el montaje / "Dicas" para montagem /
Consigli per il montaggio / Советы по сборке / 装配建议 3



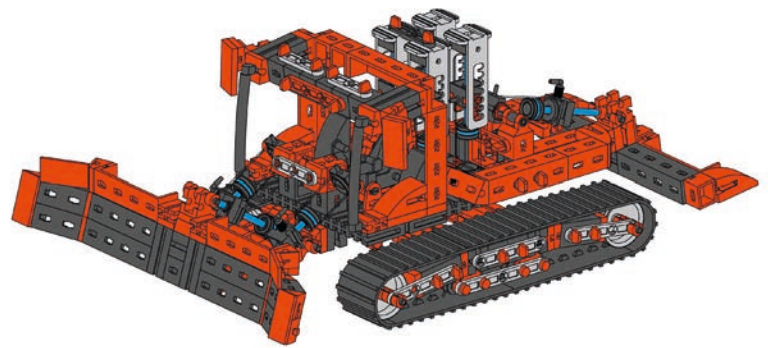
Demomodell / Demo model / Modèle de démonstration /
Demomodell / Modelo de demostración / Modelo de demonstração /
Modello dimostrativo / Демонстрационная модель /
演示模式 4



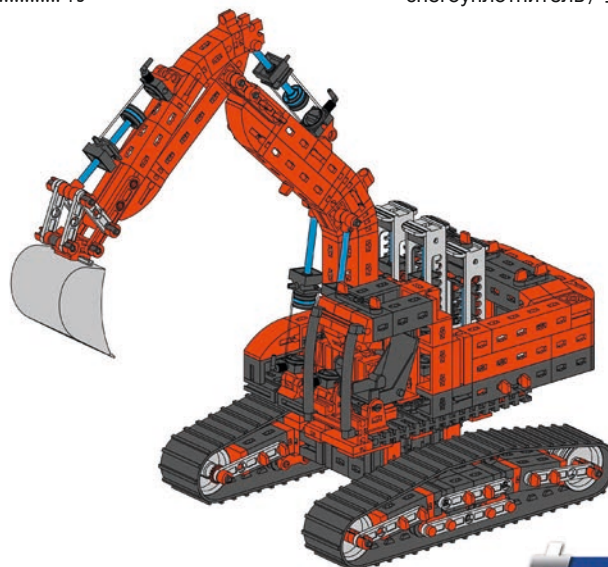
Hebebühne / Lift / Plateforme de levage / Hefplatform /
Plataforma elevadora / Plataforma elevatória /
Piattaforma di lavoro aerea / Подъемная платформа /
升降台 6



Schrottpresse / Car crusher / Presse à ferraille / Schrootpers /
Prensa de chatarra / Prensa de sucata / Pressa per rottami /
Пакетировочный пресс / 废钢打捆压力机 15



Pistenraupe / Snowcat / Dameuse / Snowcat / Pisanieves /
Niveladora de neve / Gatto delle nevi / Гусеничный
снегоуплотнитель / 雪道推平车 26





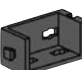




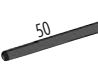



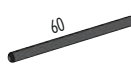


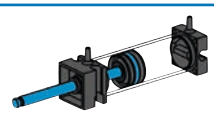


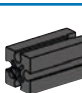


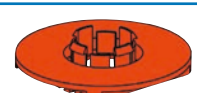


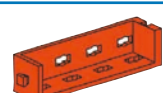



















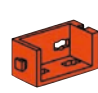
























Raupenbagger / Excavator / Pelle sur chenilles /
Rupsgraafmachine / Excavadora de oruga / Escavadora de
lagartas / Escavatore cingolato / Экскаватор на
гусеничном ходу / 履带式挖掘机 43


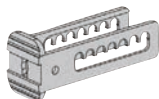









Einzelteilübersicht
Spare parts list
Liste des pièces détachées

Onderdelenoverzicht
Lista da piezas
Resumo de peça individual

Singoli componenti
Перечень деталей
零件概览

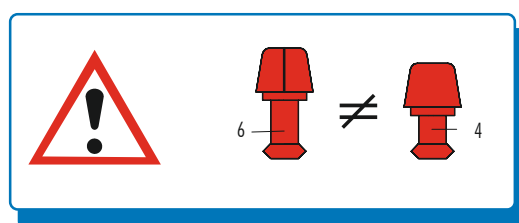
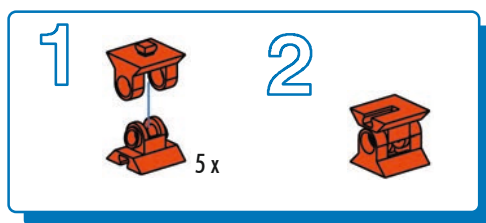
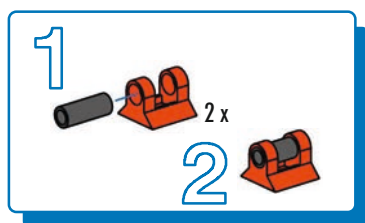
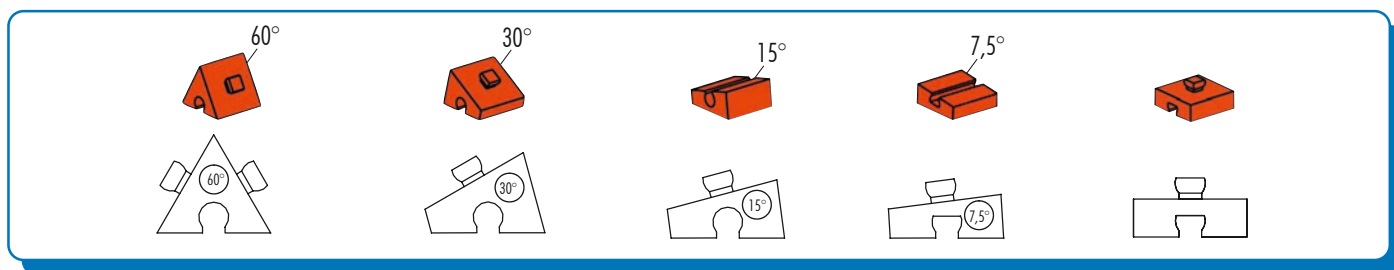
	31 010 2 x		32 064 7 x		36 920 12 x		38 414 4 x
	31 011 10 x		32 071 16 x		36 921 6 x		38 415 5 x
	31 060 3 x		32 085 4 x		36 922 11 x		38 416 1 x
	31 061 2 x		32 330 2 x		36 938 8 x		38 423 9 x
	31 390 1 x		32 879 8 x		36 950 8 x		38 428 4 x
	31 391 1 x		32 881 6 x		36 973 6 x		78 728 11 x
	31 422 4 x		35 049 2 x		37 237 22 x		116 251 4 x
	31 426 5 x		35 129 2 x		37 238 5 x		116 252 3 x
	31 436 7 x		35 969 6 x		37 468 5 x		116 913 4 x
	31 690 9 x		36 323 40 x		37 636 2 x		127 471 6 x
	31 848 12 x		36 324 4 x		37 679 36 x		127 472 6 x
	31 918 2 x		36 334 6 x		38 240 2 x		139 645 2 x
	31 981 8 x		36 586 4 x		38 241 10 x		146 985 2 x
	31 982 51 x		36 819 2 x		38 246 1 x		156 042 1 x
	31 983 1 x		36 912 4 x		38 253 2 x		156 104 1 x
	31 984 1 x		36 914 2 x		38 258 12 x		160 545 4 x
	31 994 2 x		36 915 8 x		38 413 2 x		160 546 10 x

	163 203 4 x		173 040 4 x		173 043 2 x		
	163 439 7 x		173 041 4 x		173 044 6 x		
	172 809 2 x		173 042 1 x		173 045 2 x		

Montagetipps
Tips for assembly
Tuyaux pour le montage

Montagetipps
Consejos para el montaje
"Dicas" para montagem

Consigli per il montaggio
Советы по сборке
装配建议



Schlauchzuschnitte
Hose cut to length
Découpes de tuyau

Slangdelen
Recortes de tubos flexibles
Recortes de mangueira

Spezzoni di tubo
Штуцеры
软管段

2 x 25 cm
1 x 35 cm
1 x 50 cm

Sicherheitshinweise
Safety Information
Consignes de sécurité

Veiligheidsrichtlijnen
Indicaciones de seguridad
Observações sobre segurança

Informazioni per la sicurezza
Указания по технике безопасности
安全指南

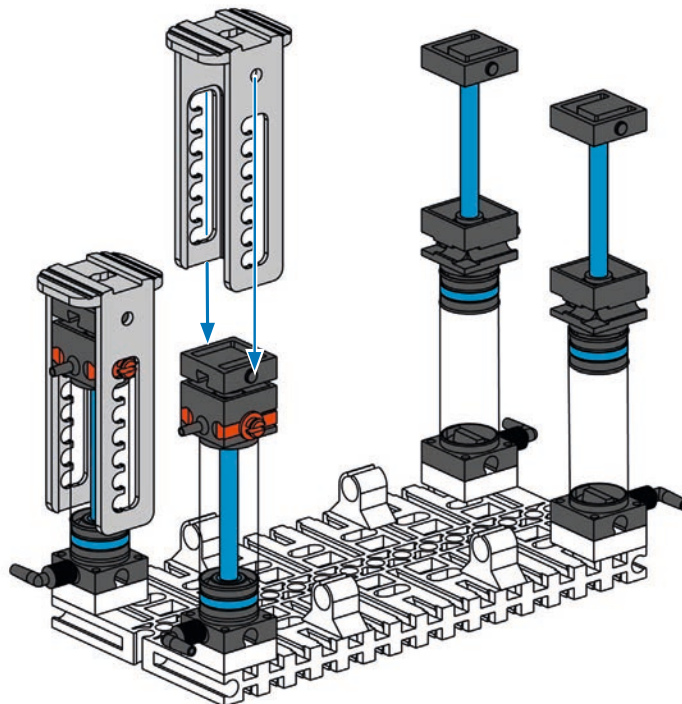
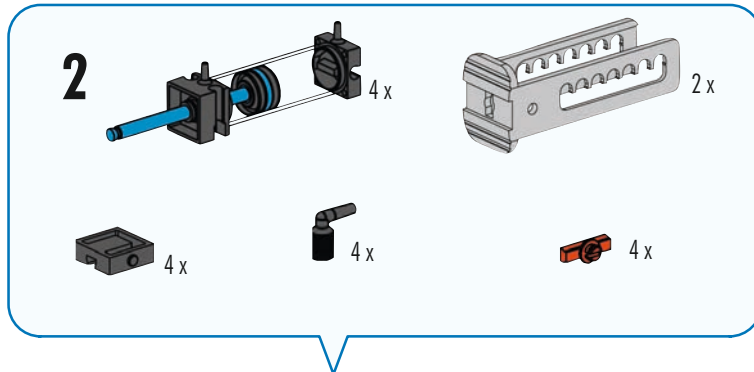
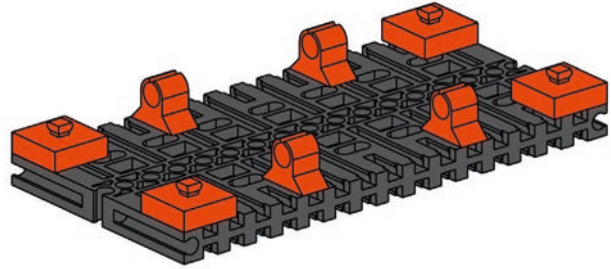
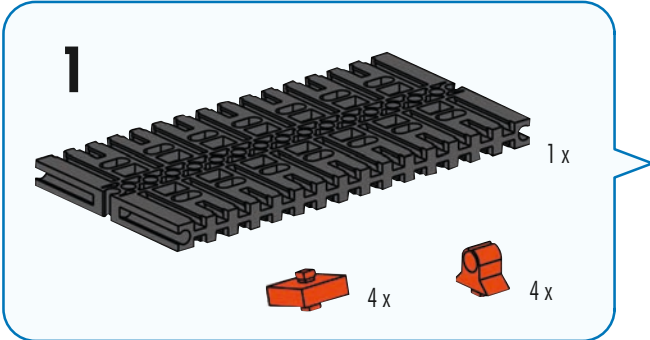
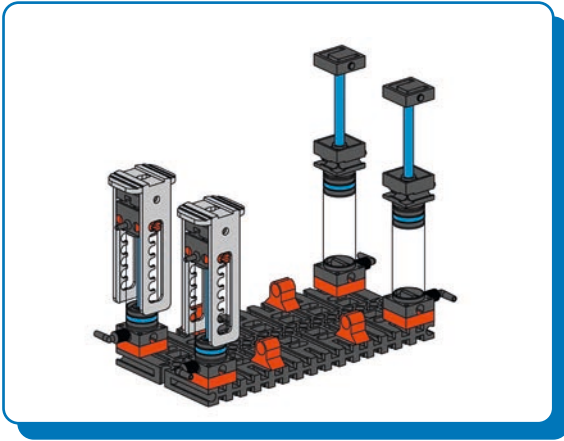
- Alle Einzelteile, insbesondere bewegliche Teile sind falls notwendig zu warten und zu reinigen.
- All components, especially moving parts, should be maintained and cleaned as necessary.
- Toutes les pièces détachées et en particulier les pièces mobiles, sont, si nécessaire, à entretenir et à nettoyer.
- Alle onderdelen, vooral de bewegende delen, kunnen, indien noodzakelijk, onderhouden en gereinigd worden.
- Es necesario limpiar y mantener en buen estado todas las diferentes piezas - especialmente las piezas móviles.
- Caso necessário, todas as peças individuais, especialmente peças móveis, tem que ser submetidas à manutenção e ser limpadas.
- Se necessario, tutti i singoli componenti, soprattutto le parti mobili, si devono eventualmente sottoporre a manutenzione e pulizia.
- Все детали, особенно подвижные, требуют ухода и чистки.
- 必要时应保养和清洁所有零件，尤指运动部件。

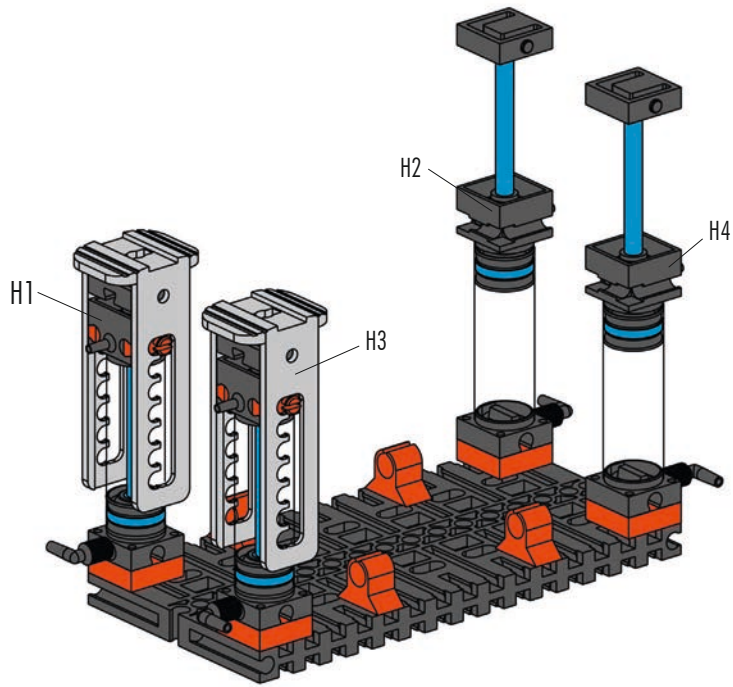
25 cm
20 cm
15 cm
10 cm
5 cm
0

Demomodell
Demo model
Modèle de
démonstration

Demomodel
Modelo de demostración
Modelo de demons-
tração

Modello dimostrativo
Демонстрационная
модель
演示模式





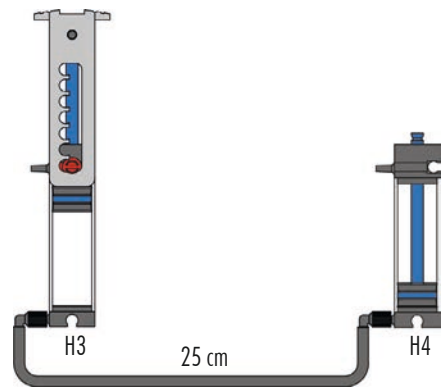
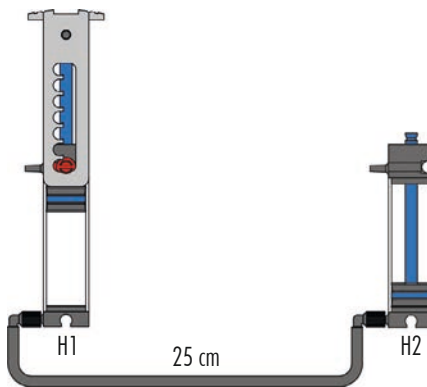
Zylinder mit Wasser befüllen: siehe didaktisches Begleitmaterial
 Fill cylinder with water: see instructional materials
 Remplir le cylindre d'eau : voir matériel d'accompagnement didactique
 Cilinder vullen met water: zie didactisch materiaal
 Llenar cilindro con agua: véase material didáctico adjunto
 Encher cilindro com água: ver o material didático de apoio
 Riempire il cilindro con acqua: vedere il materiale didattico allegato
 Наполнение цилиндра водой: см. сопроводительный дидактический материал
 为汽缸加水：参见教学材料

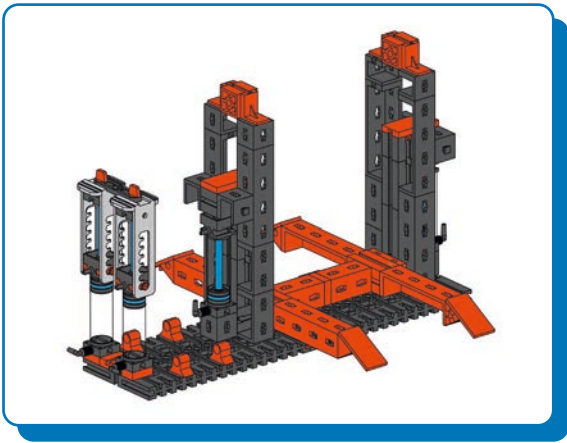
www.fischertechnik-elearning.com

Schlauchanschlussplan
 Air line layout plan
 Plan de raccordement de conduits

Aansluitschema van slang
 Racor de empalme
 Plano de conexão de mangueira

Schema di allacciamento tubi
 Схема подключения шлангов
 软管连接图





Hebebühne
Lift
Plateforme de levage

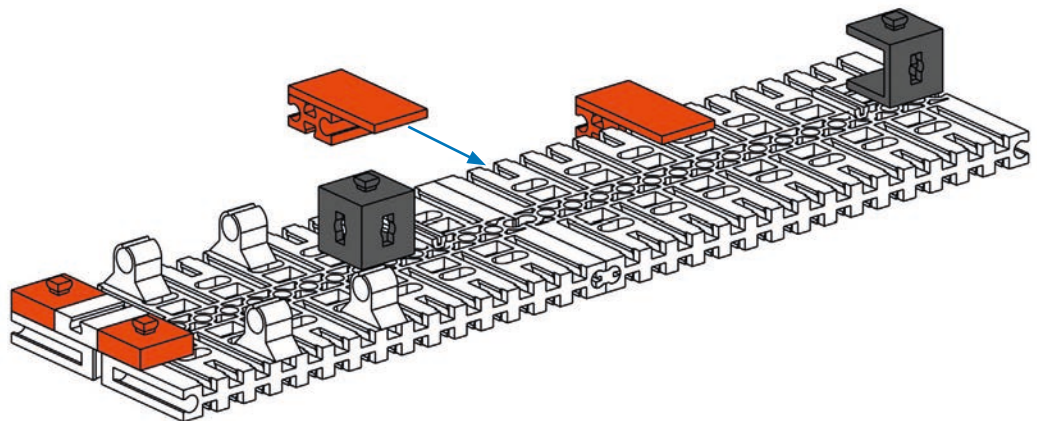
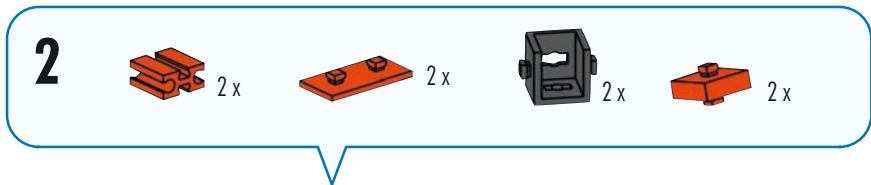
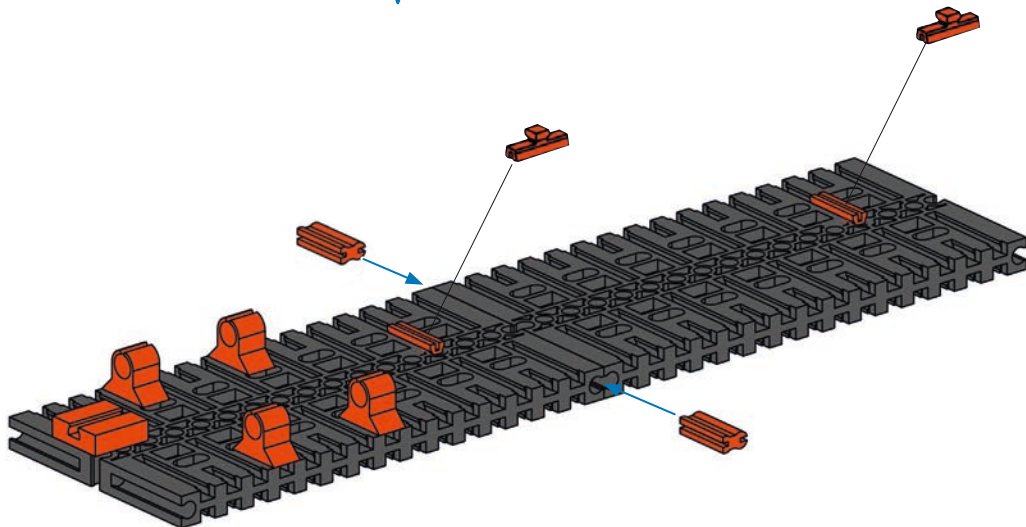
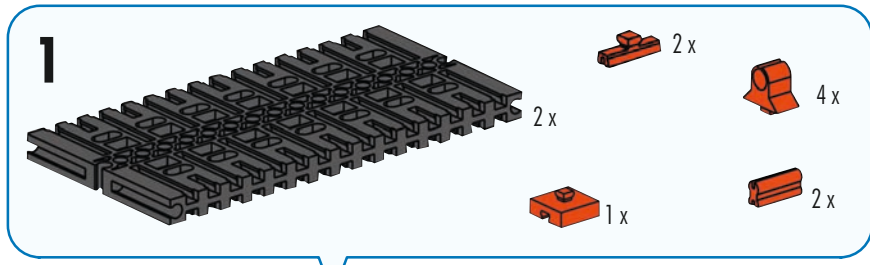
Hefplatform
Plataforma elevadora
Plataforma elevatória

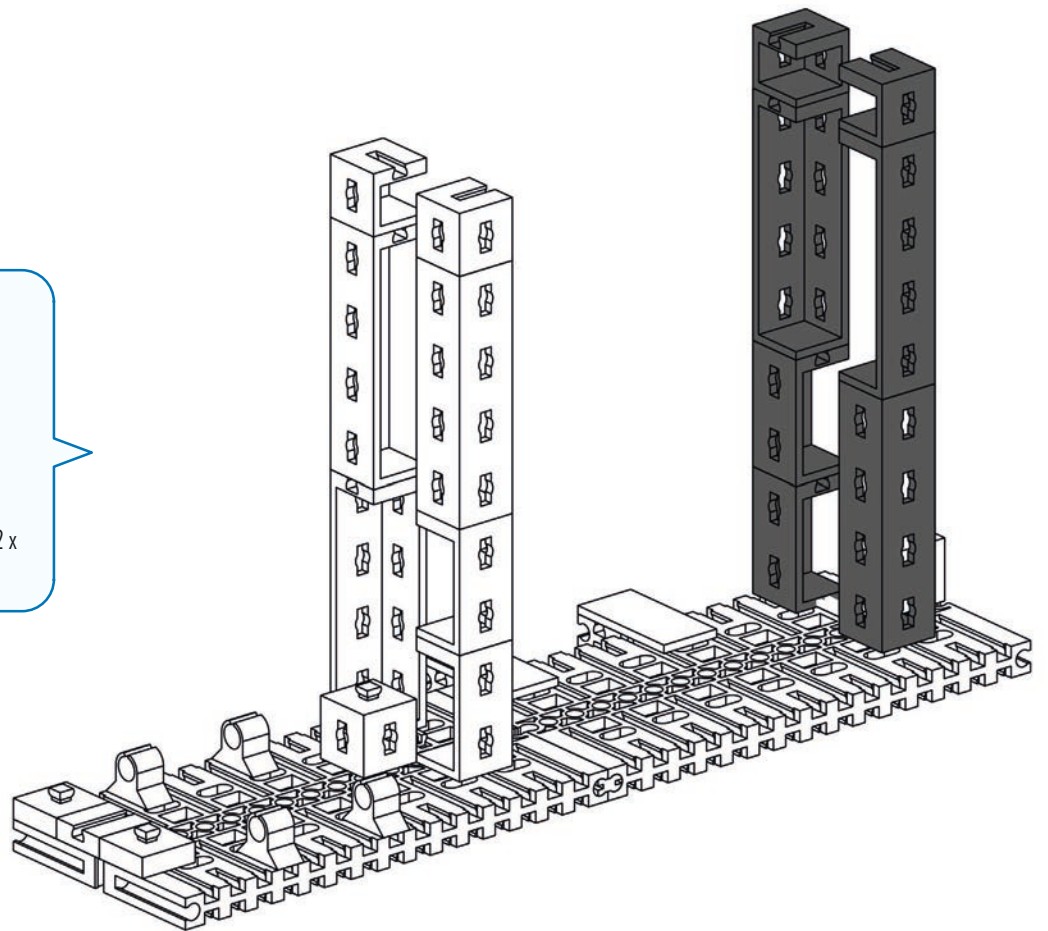
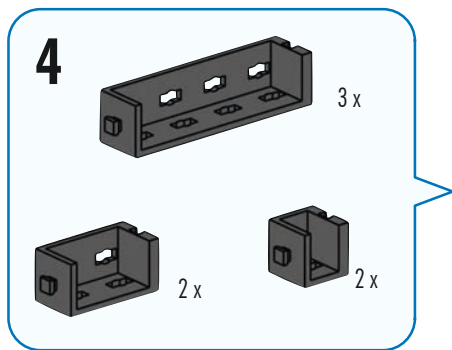
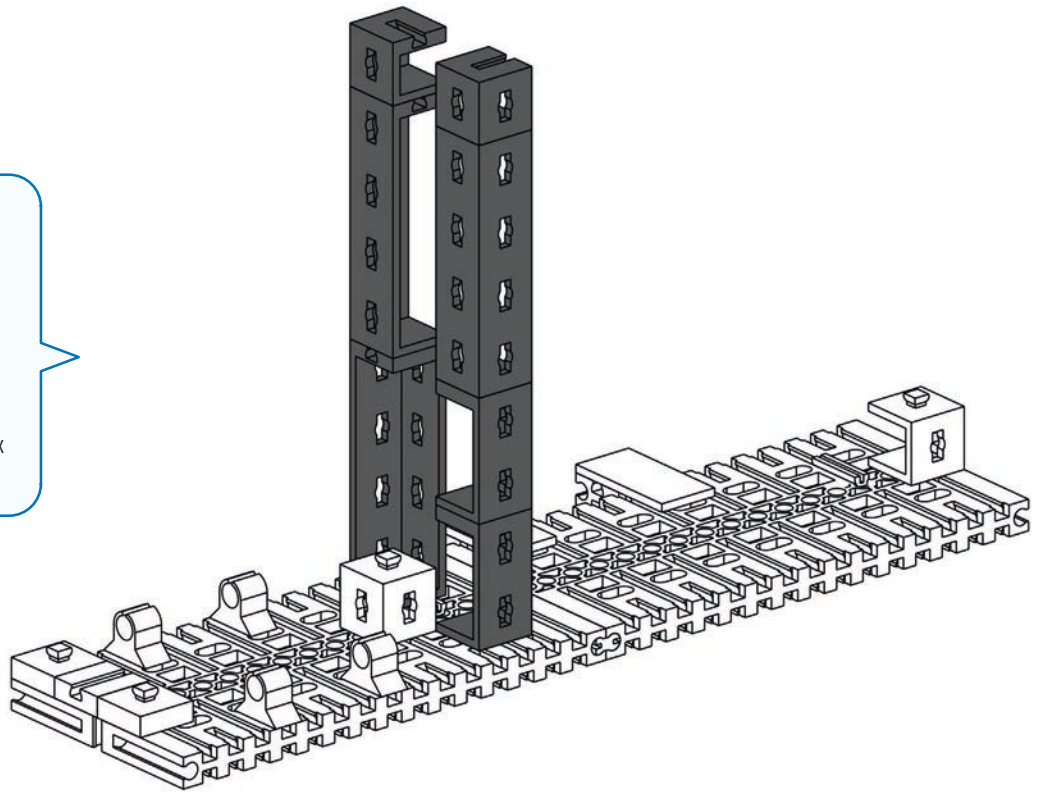
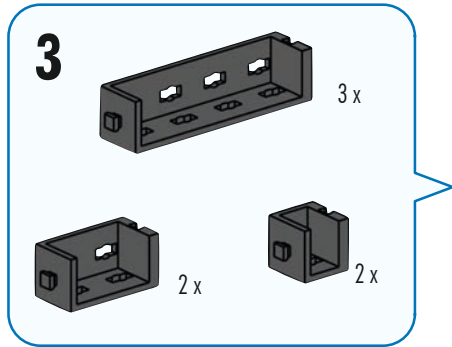
Piattaforma di lavoro
aerea
 Подъемная платформа
 升降台

Versuch 1
 Test 1
 Essai 1

Verzoek 1
 Prueba 1
 Experiência 1

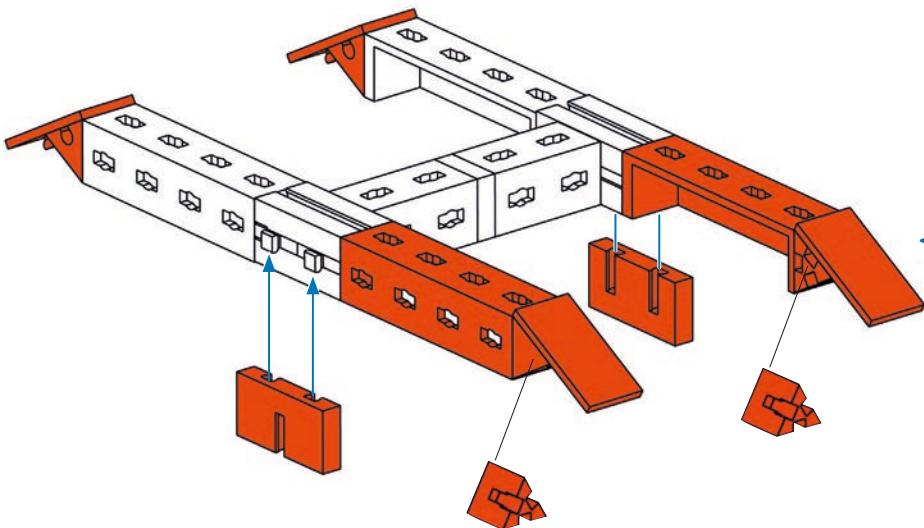
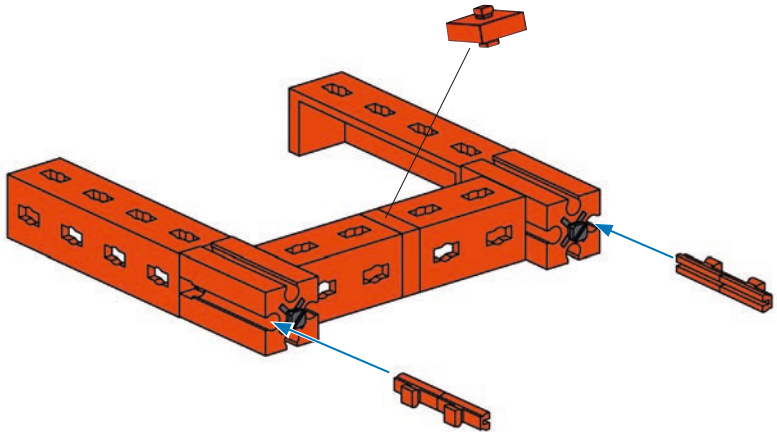
Prova 1
 тание 1
 试验 1





5

- 2 x [Red 1x3 Technic Beam]
- 2 x [Red 1x3 Technic Beam with Pin Hole]
- 2 x [Red 1x3 Technic Beam with Pin Hole]
- 4 x [Red 1x2 Technic Beam]
- 1 x [Red 1x2 Technic Beam with Pin Hole]

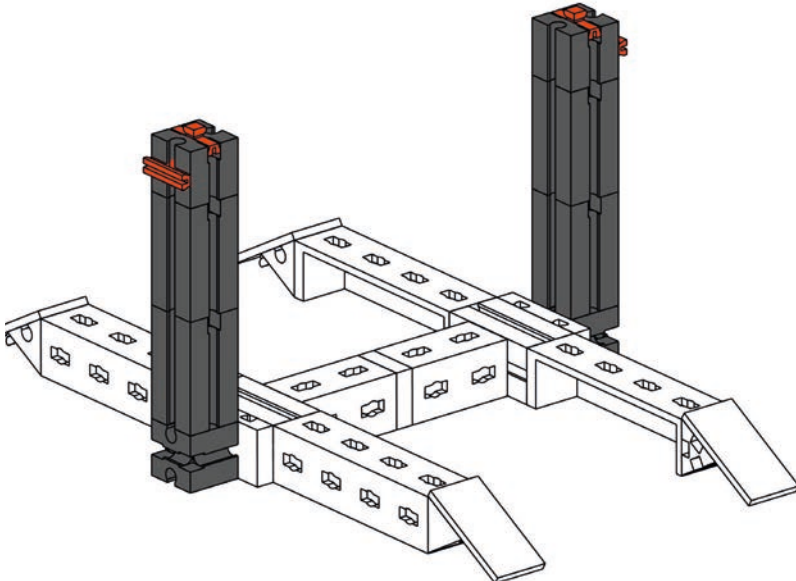


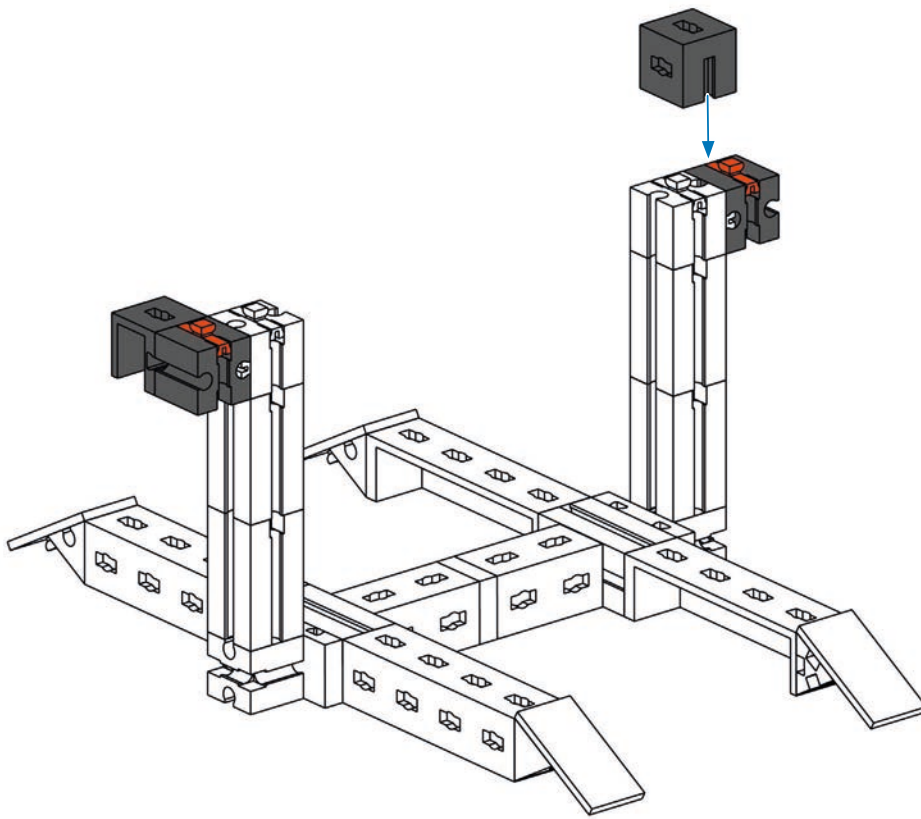
6

- 2 x [Red 1x3 Technic Beam]
- 2 x [Red 1x2 Technic Beam]
- 4 x [Red 1x2 Technic Beam]
- 2 x [Red 1x2 Technic Beam with Pin Hole]
- 2 x [Red 1x2 Technic Beam with Pin Hole]

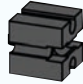
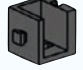

7

- 4 x [Dark Grey 1x3 Technic Beam]
- 4 x [Dark Grey 1x3 Technic Beam with Pin Hole]
- 4 x [Red 1x2 Technic Beam]




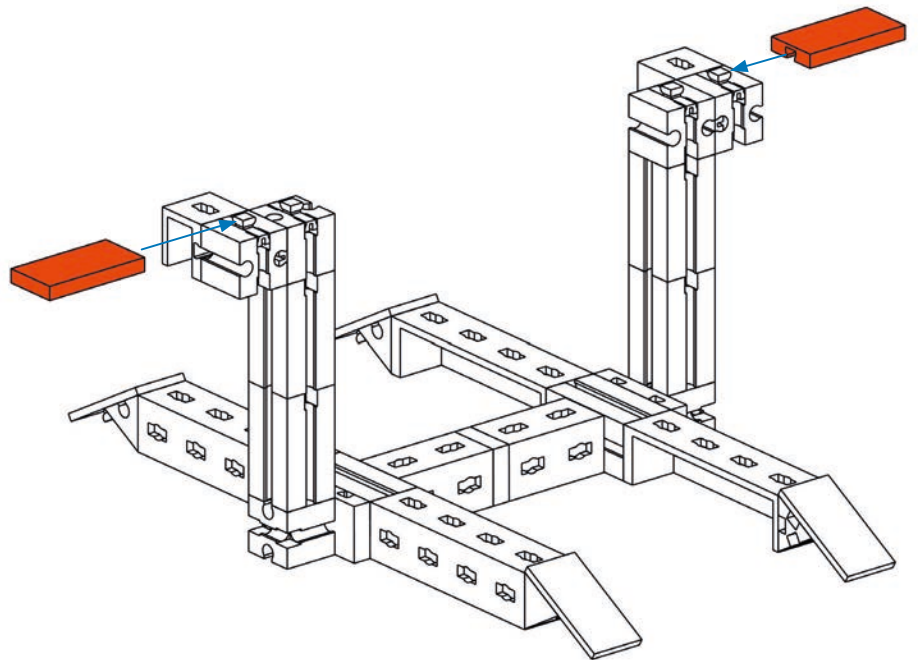


8

-  2 x
-  2 x
-  2 x

9

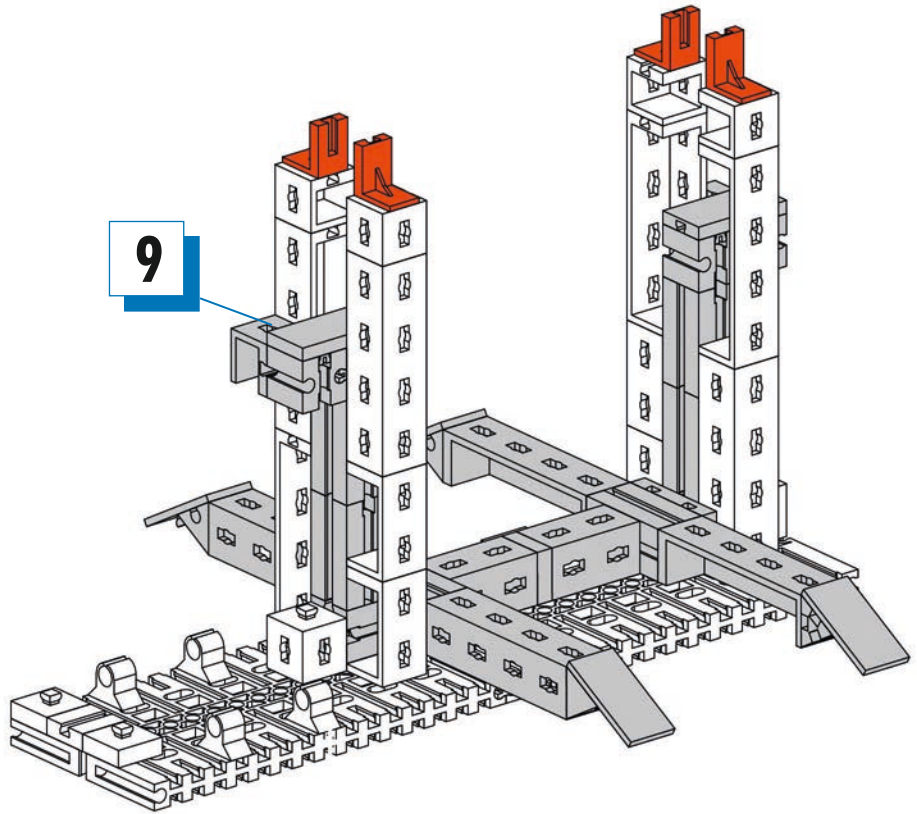
-  2 x



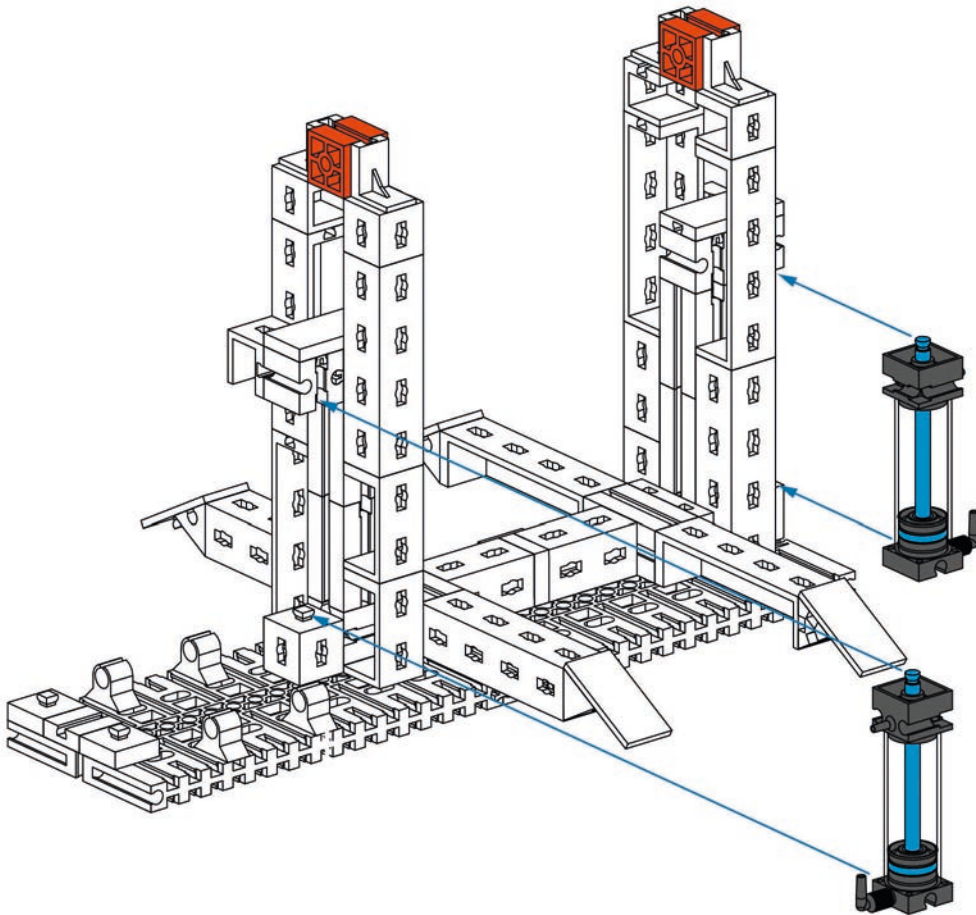
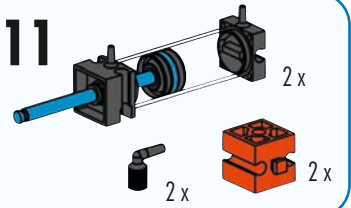
10



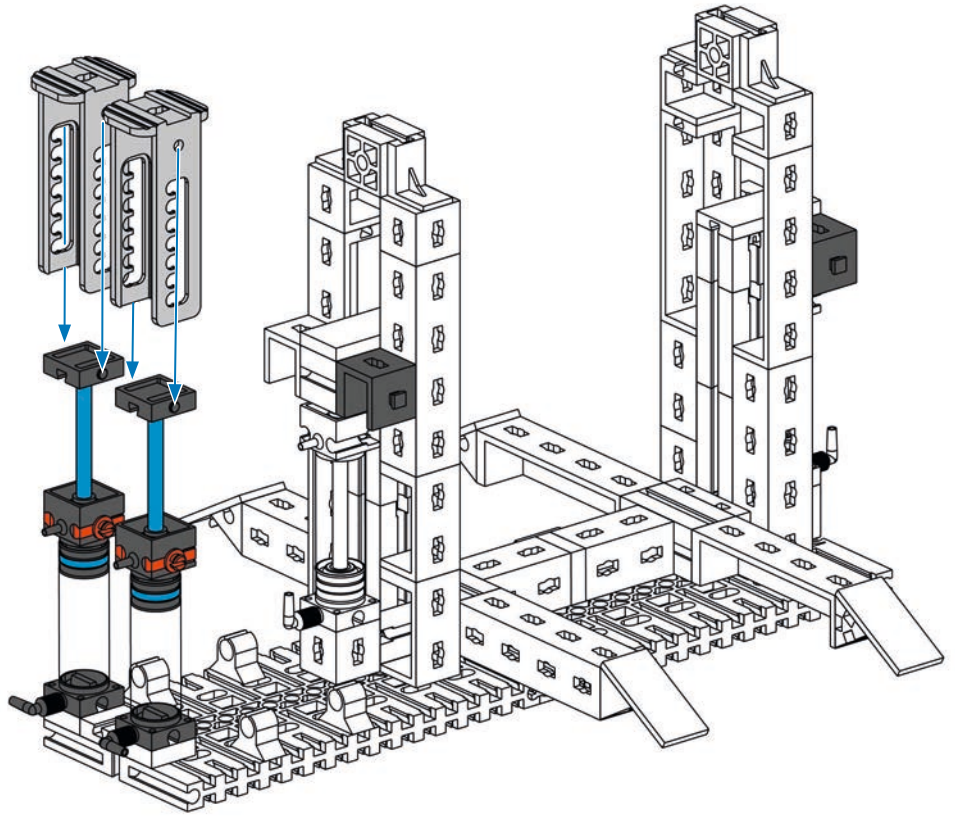
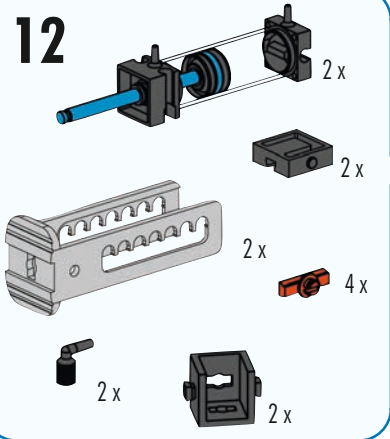
9



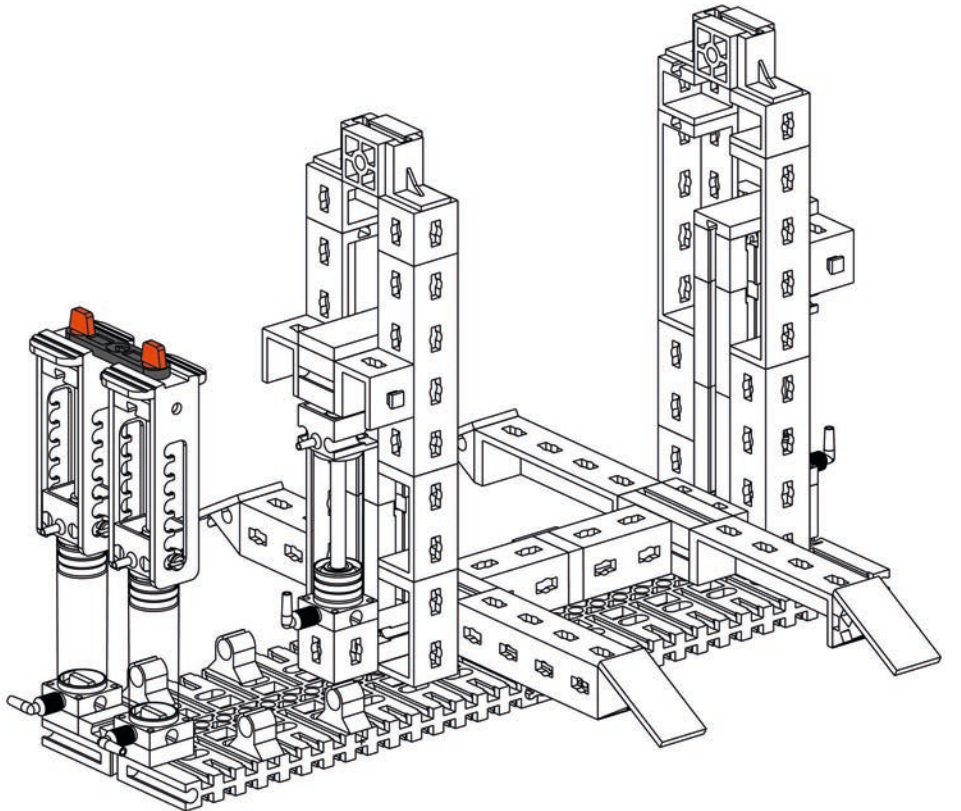
11

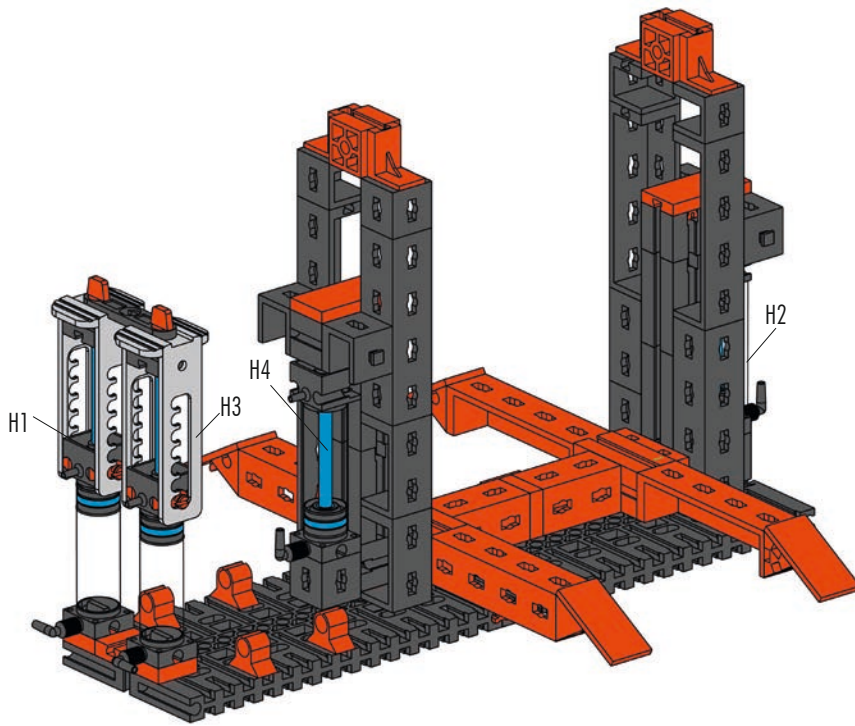


12



13



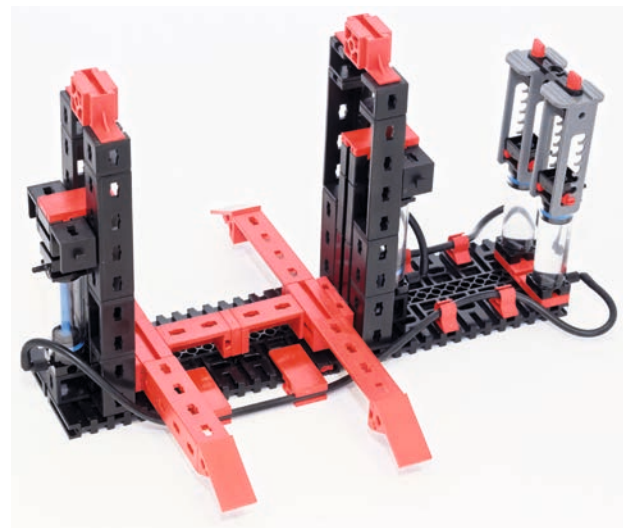
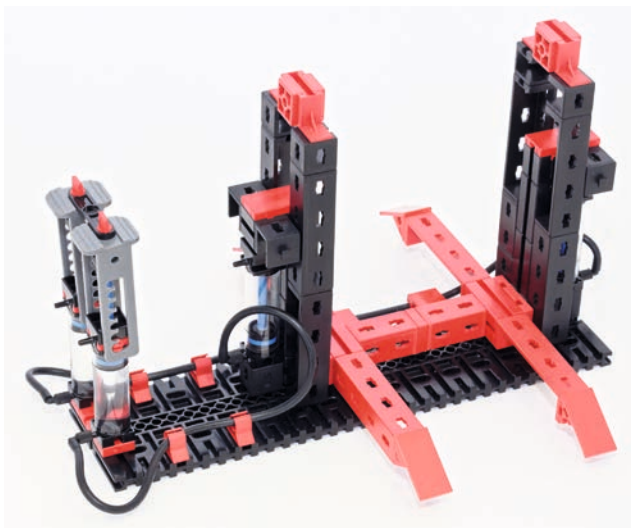
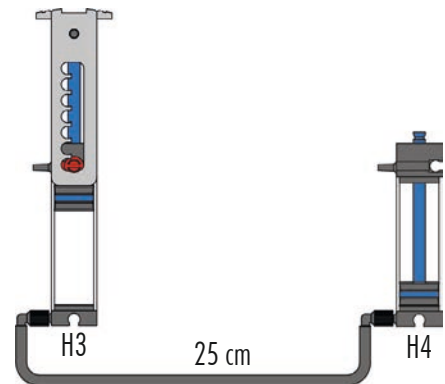
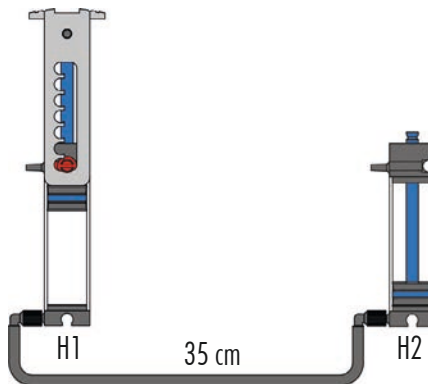


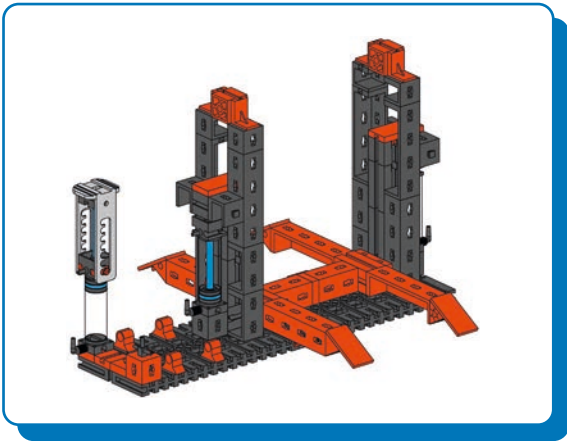
Zylinder mit Wasser befüllen: siehe didaktisches Begleitmaterial
 Fill cylinder with water: see instructional materials
 Remplir le cylindre d'eau : voir matériel d'accompagnement didactique
 Cilinder vullen met water: zie didactisch materiaal
 Llenar cilindro con agua: véase material didáctico adjunto
 Encher cilindro com água: ver o material didático de apoio
 Riempire il cilindro con acqua: vedere il materiale didattico allegato
 Наполнение цилиндра водой: см. сопроводительный
 дидактический материал
 为汽缸加水：参见教学材料
www.fischertechnik-elearning.com

Schlauchanschlussplan
 Air line layout plan
 Plan de raccordement de conduits

Aansluitschema van slang
 Racor de empalme
 Plano de conexão de mangueira

Schema di allacciamento tubi
 Схема подключения шлангов
 软管连接图





Hebebühne
Lift
Plateforme de levage

Hebplatform
Plataforma elevadora
Plataforma elevatória

Piattaforma di lavoro
aerea
 Подъемная платформа
 升降台

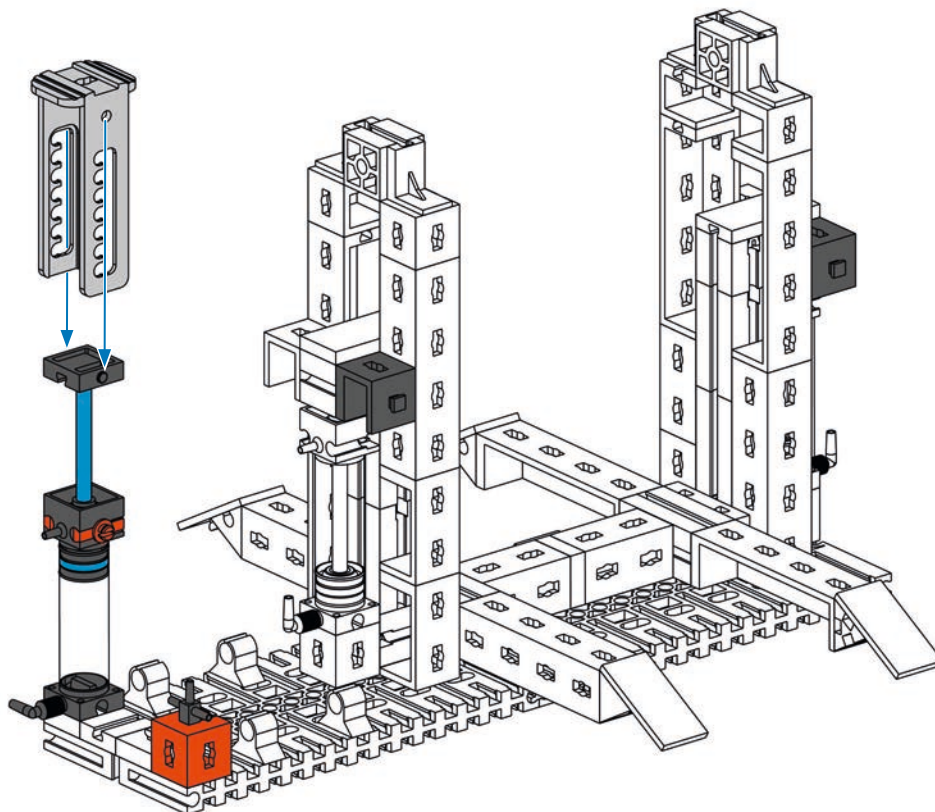
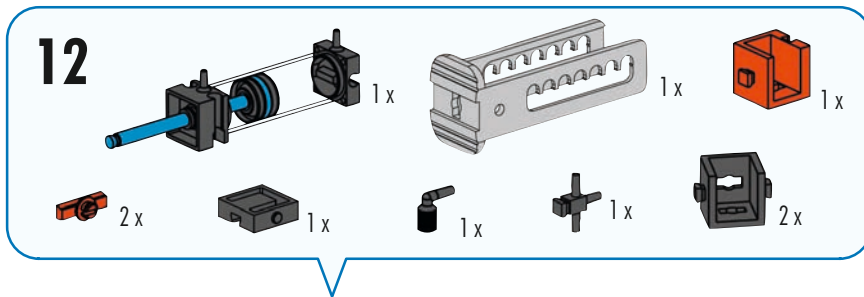
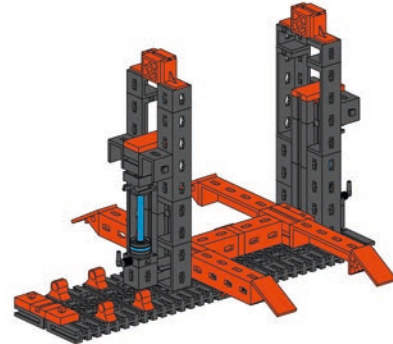
Versuch 2
 Test 2
 Essai 2

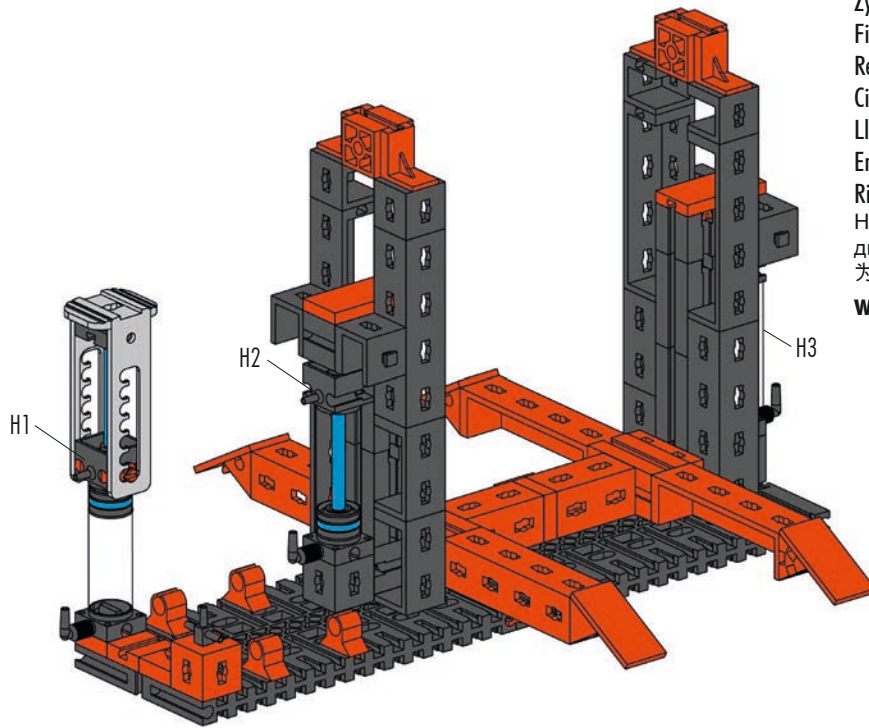
Verzoek 2
 Prueba 2
 Experiência 2

Prova 2
 тание 2
 试验 2

1-11

Seite 6
 Page 6
 Page 6
 Bladzijde 6
 Página 6
 Pagina 6
 Pagina 6
 Страница 6
 页次 6



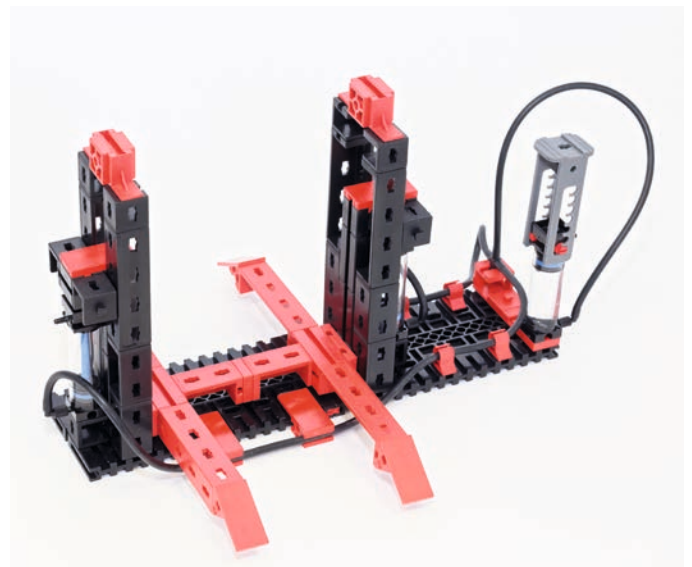
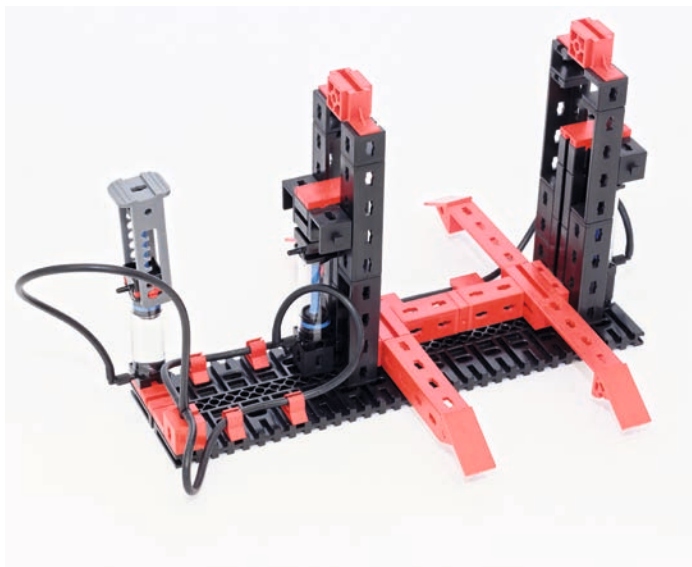
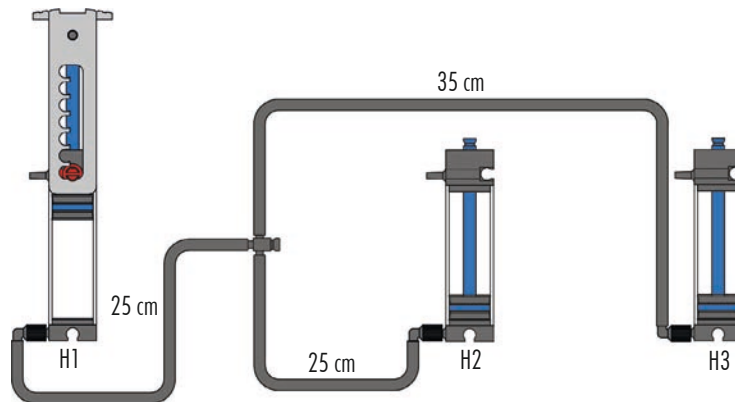


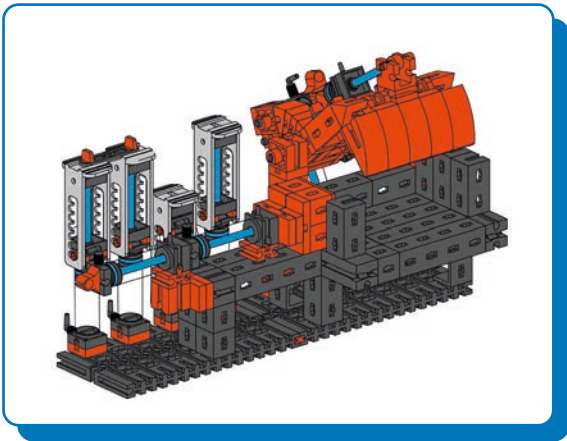
Zylinder mit Wasser befüllen: siehe didaktisches Begleitmaterial
 Fill cylinder with water: see instructional materials
 Remplir le cylindre d'eau : voir matériel d'accompagnement didactique
 Cilinder vullen met water: zie didactisch materiaal
 Llenar cilindro con agua: véase material didáctico adjunto
 Encher cilindro com água: ver o material didático de apoio
 Riempire il cilindro con acqua: vedere il materiale didattico allegato
 Наполнение цилиндра водой: см. сопроводительный
 дидактический материал
 为汽缸加水：参见教学材料
www.fischertechnik-elearning.com

Schlauchanschlussplan
 Air line layout plan
 Plan de raccordement de conduits

Aansluitschema van slang
 Racor de empalme
 Plano de conexão de mangueira

Schema di allacciamento tubi
 Схема подключения шлангов
 软管连接图

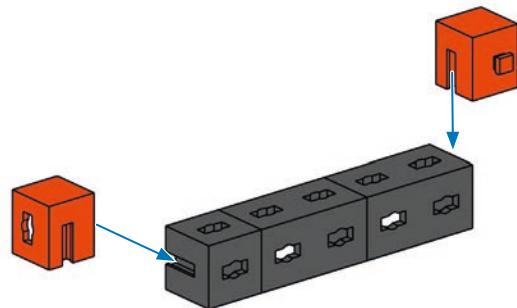
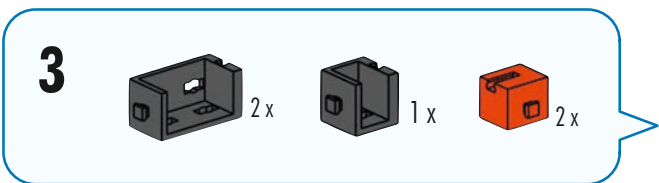
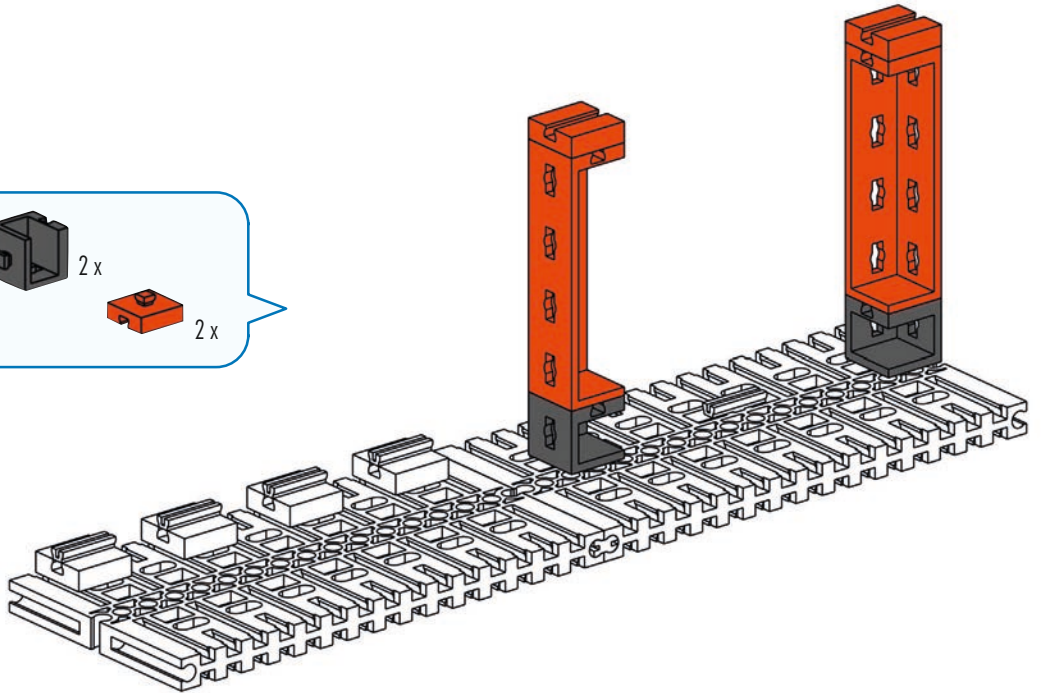
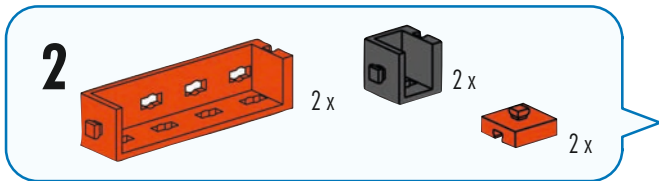
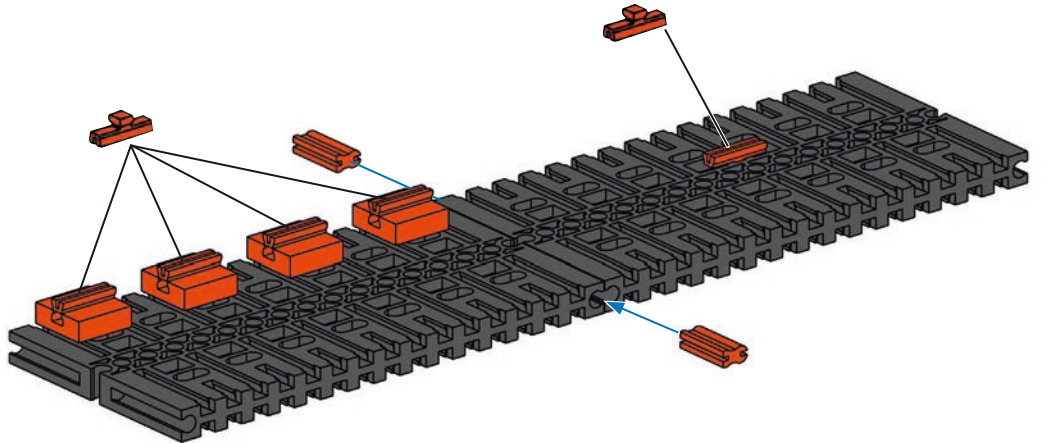
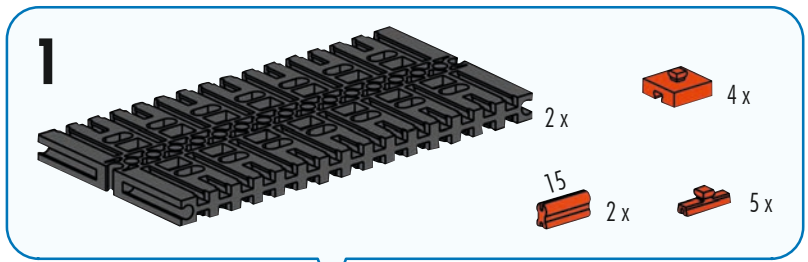


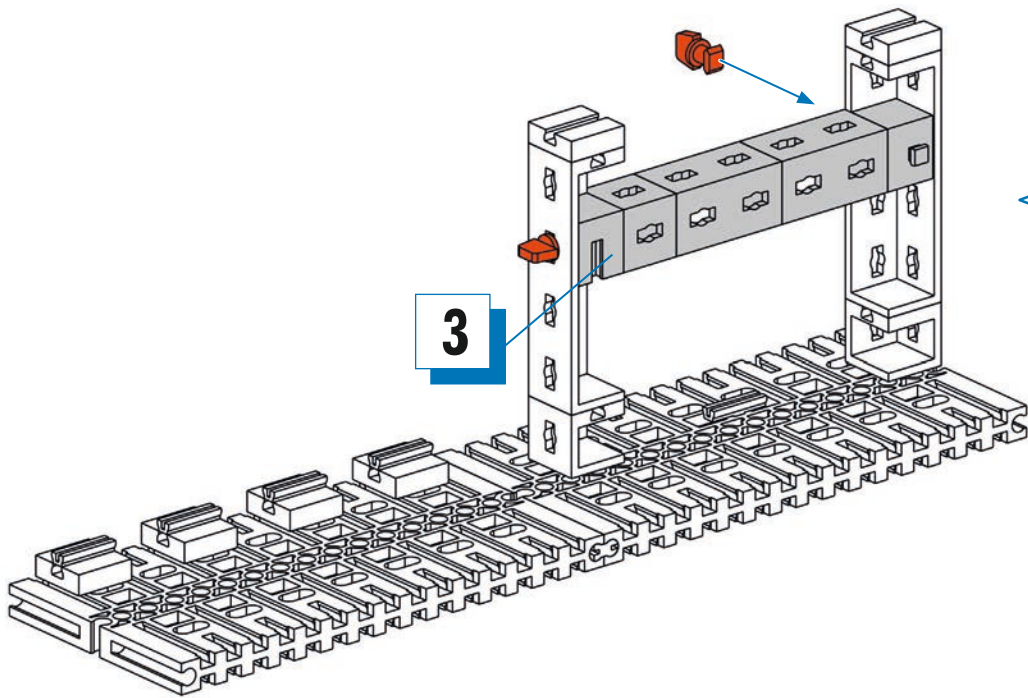


Schrottpresse
Car crusher
Presse à ferraille

Schrootpers
Prensa de chatarra
Prensa de sucata

Pressa per rottami
Пакетировочный пресс
废钢打捆压力机





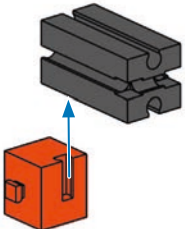
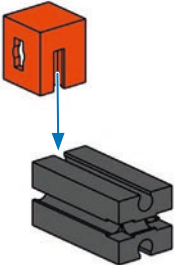
3

4

4
2 x

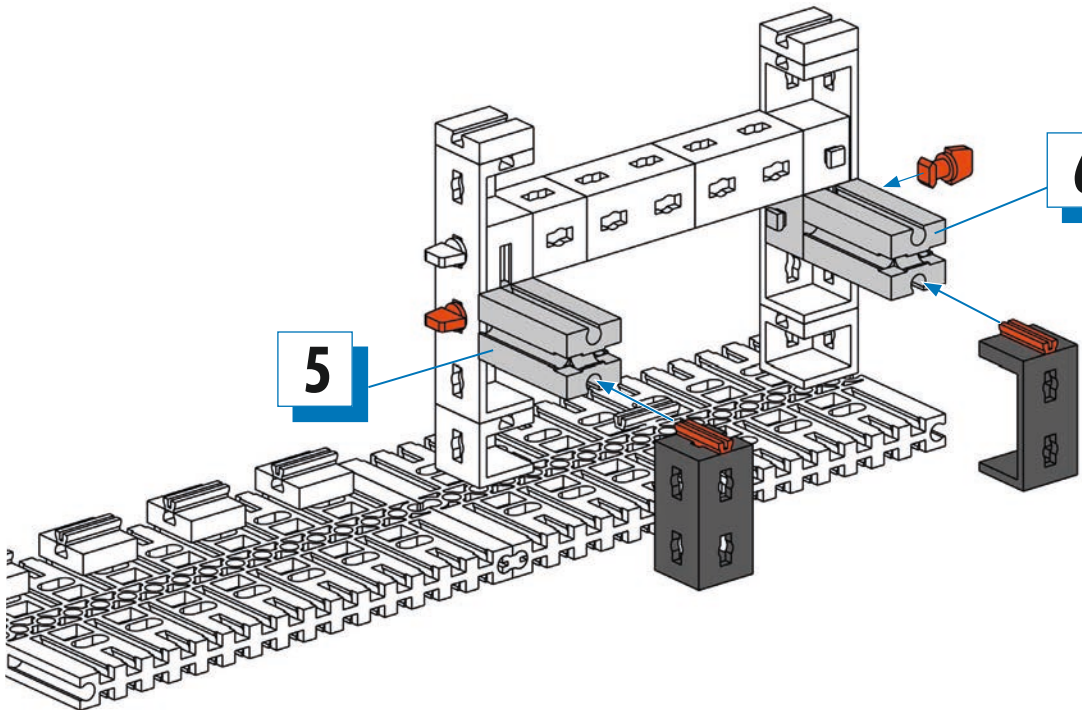
5

5
1 x
1 x



6

6
1 x
1 x



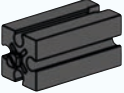
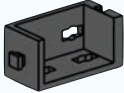
5


6

7

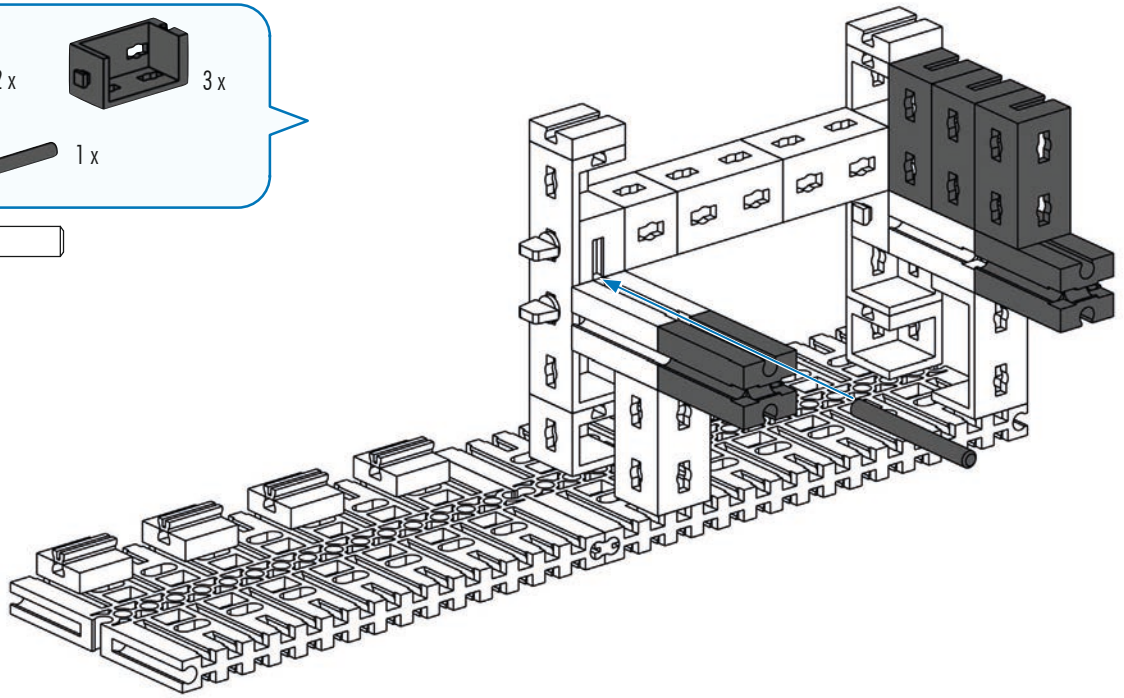
7
2 x
4
2 x
2 x

8

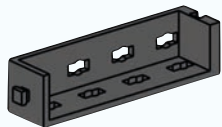

2 x  3 x 

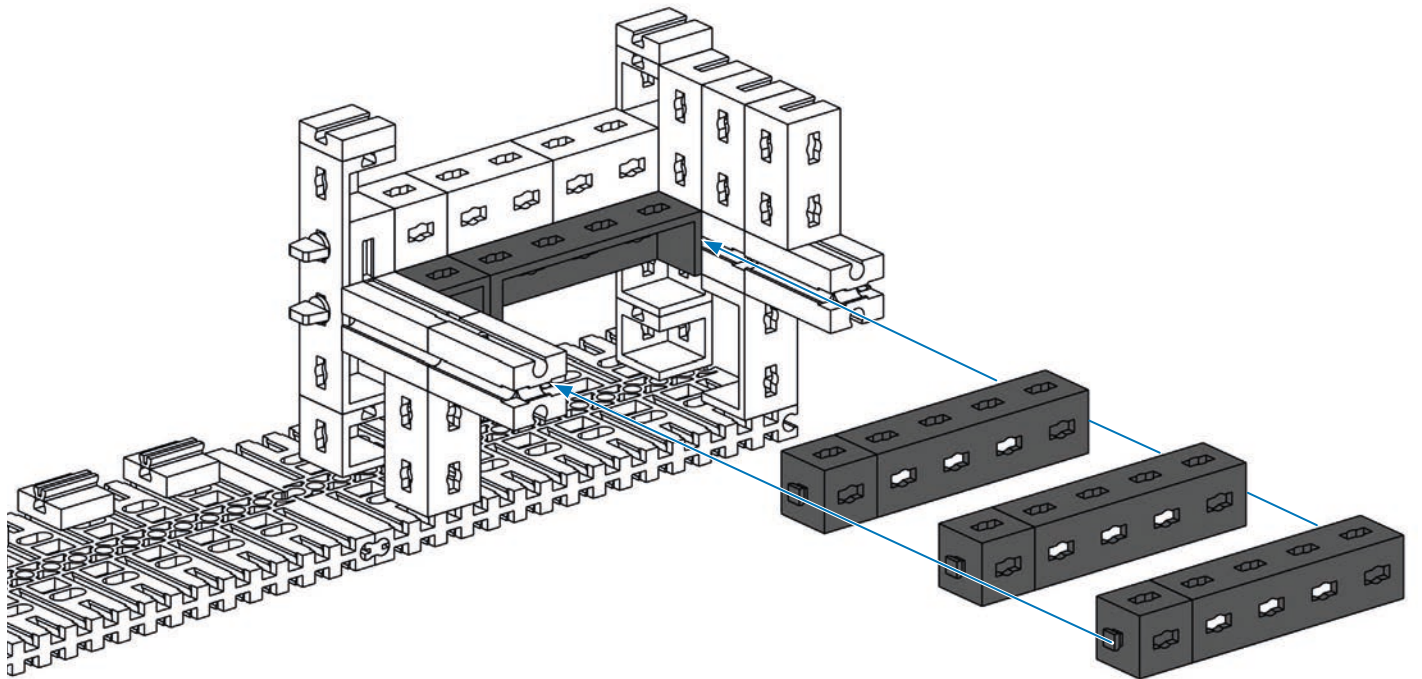
40  1 x

40 mm

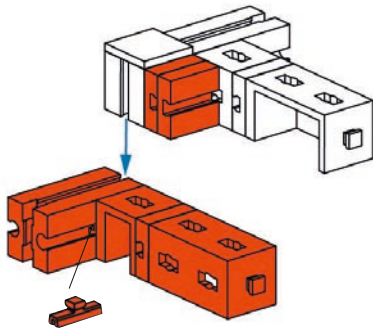
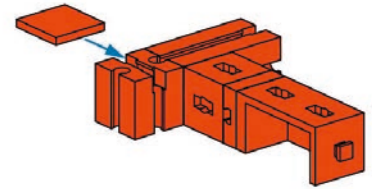
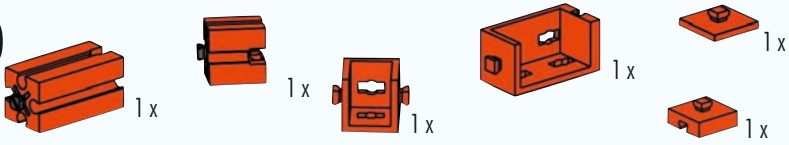


9

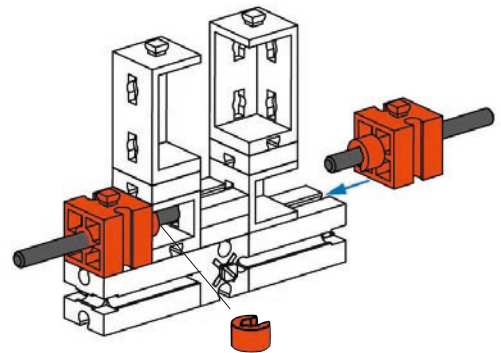
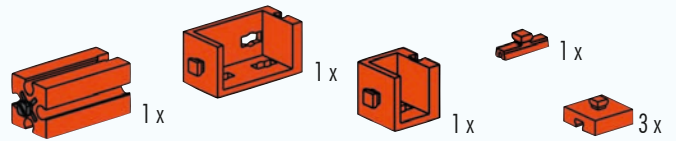
4 x  4 x 



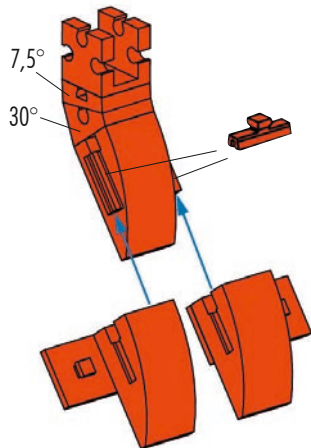
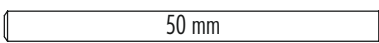
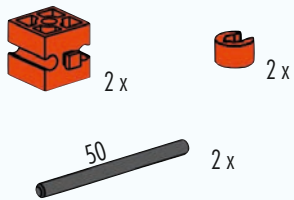
10



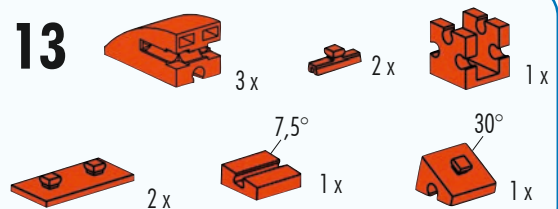
11

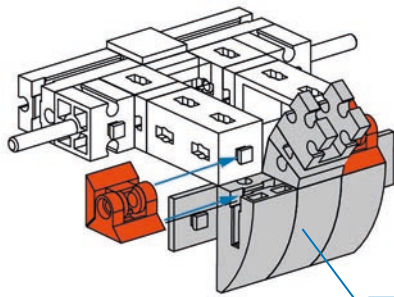


12



13



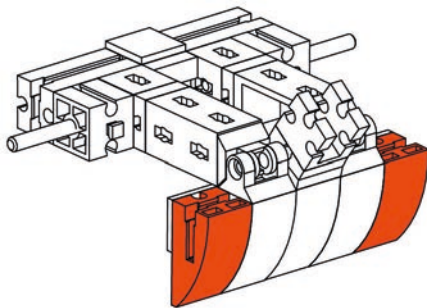


13

14



2x

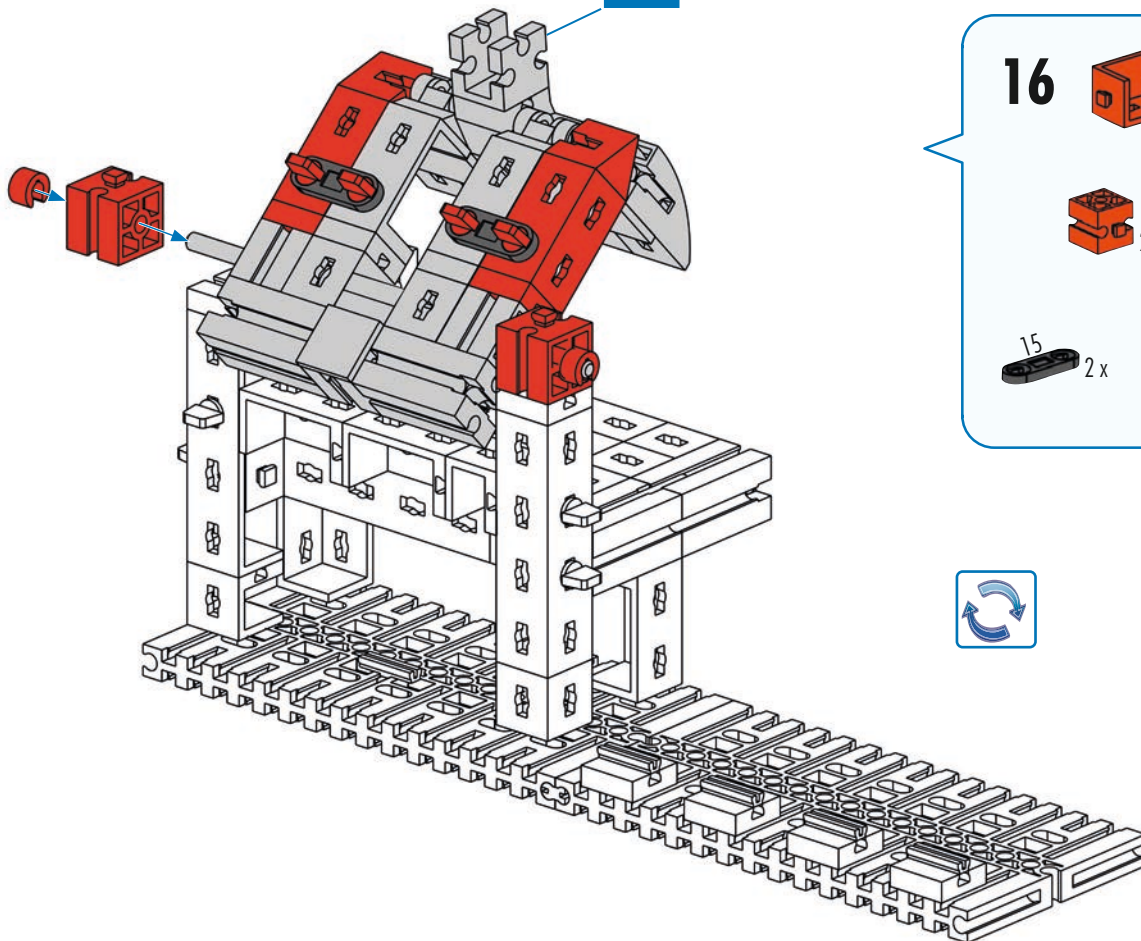


15



2x

15



16



2x



2x



2x



2x



2x

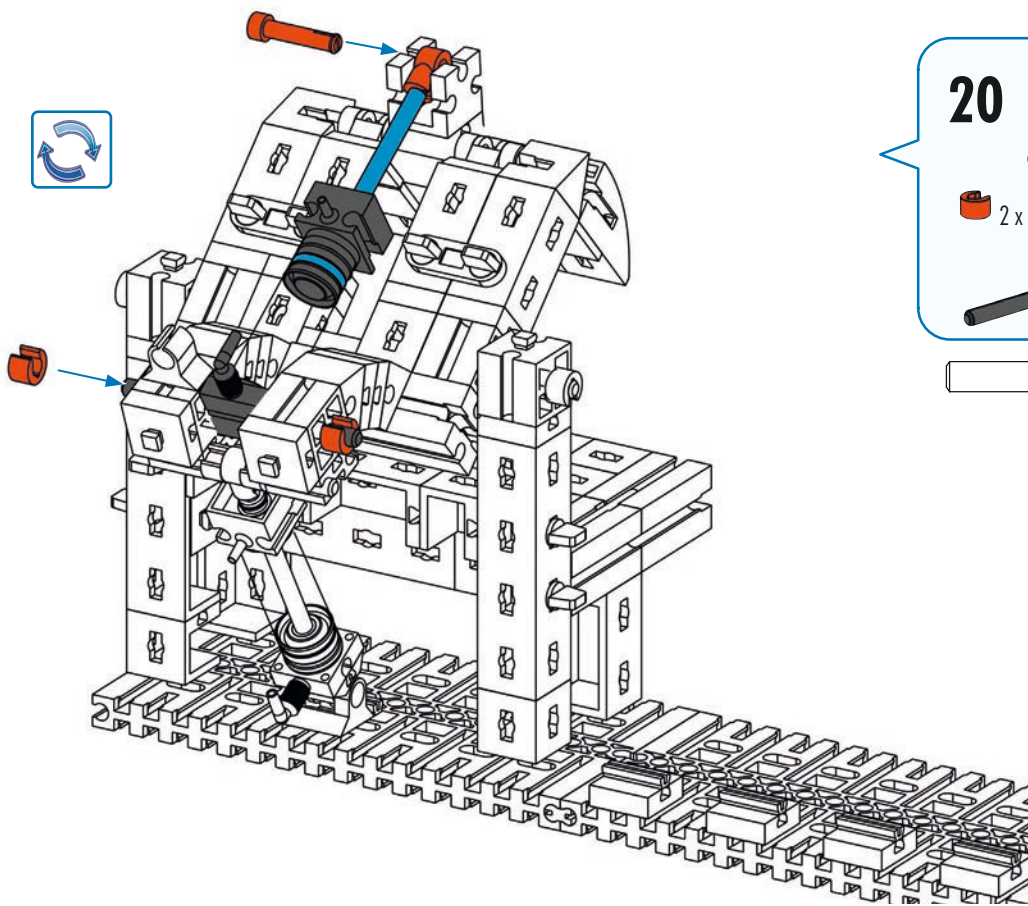


4x



2x

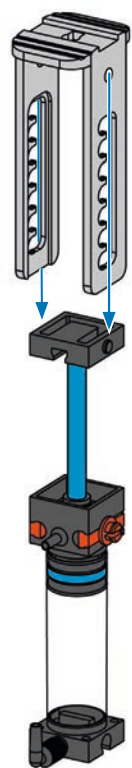




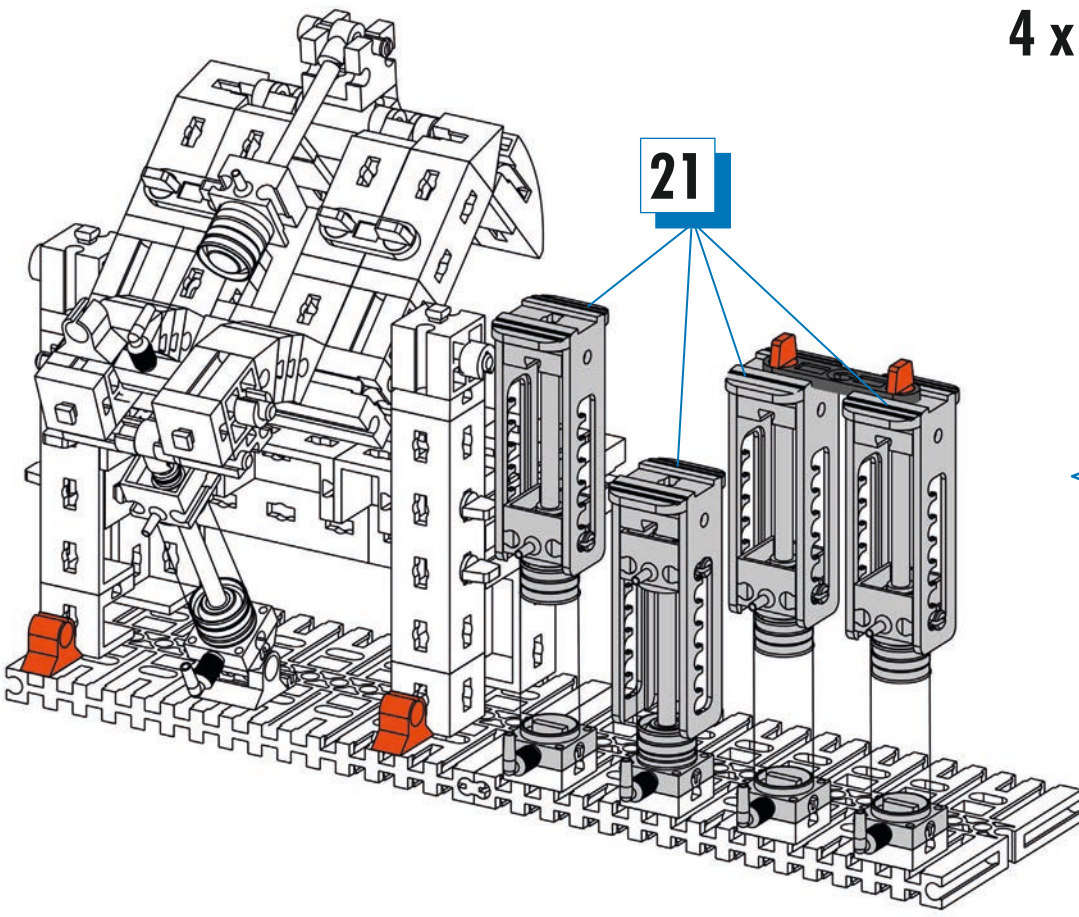
- 20**
- 1x [Grey motor assembly]
 - 2x [Red bush]
 - 1x [Red bush]
 - 1x [Black pin]
 - 1x [Grey axle, length 60]
 - 1x [Red axle pin]

60 mm

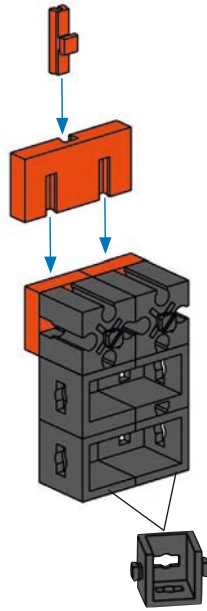
- 21**
- 4x [Grey motor assembly]
 - 4x [Grey frame]
 - 4x [Black pin]
 - 8x [Red bush]
 - 4x [Black pin]



4 x



- 22**
- 2x [Red bush]
 - 1x [Grey axle, length 30]
 - 4 [Red bush]
 - 2x [Red bush]

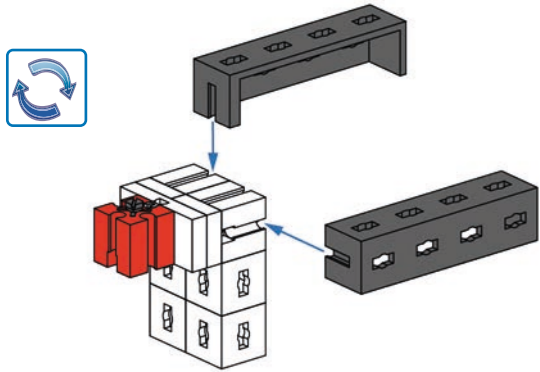


23

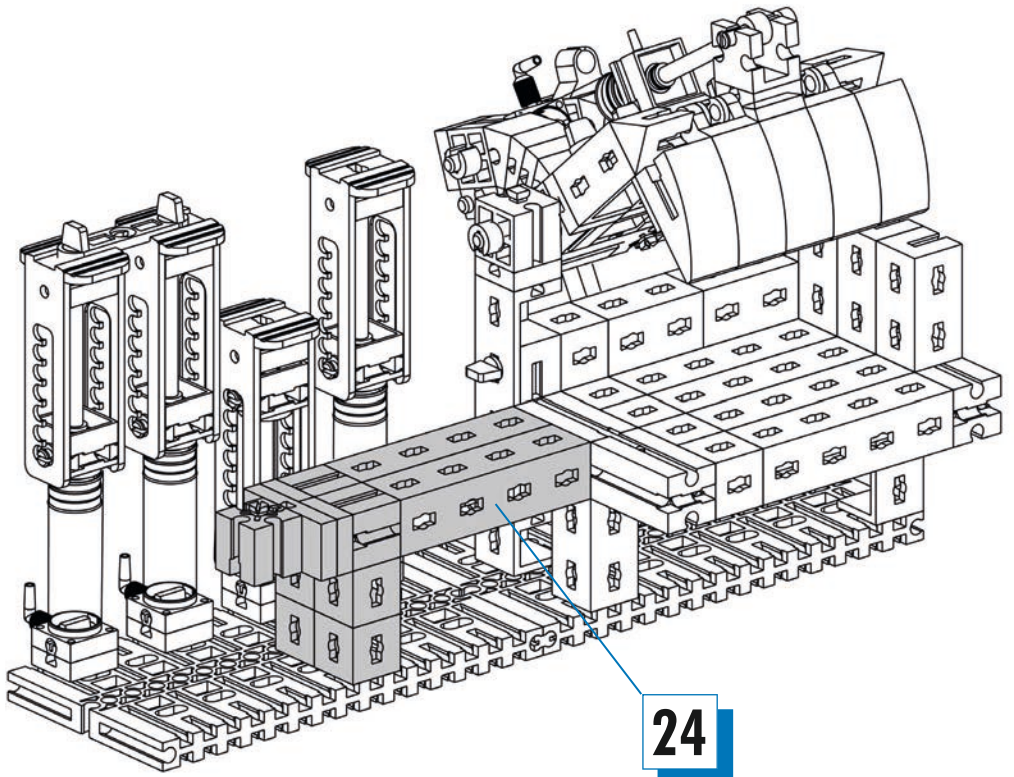
- 2 x Grey Technic Connector
- 2 x Grey Technic Connector
- 2 x Grey Technic Connector
- 1 x Orange Technic Pin
- 2 x Orange Technic Pin
- 1 x Orange Technic Beam (1x3)

24

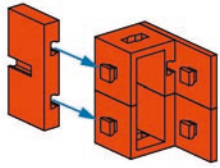
- 2 x Grey Technic Beam (1x5)
- 1 x Orange Technic Pin



25



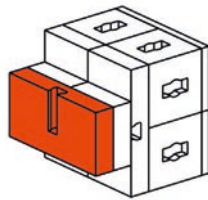
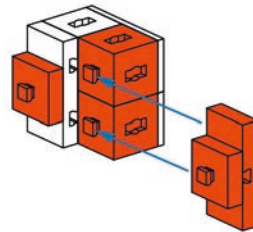
24



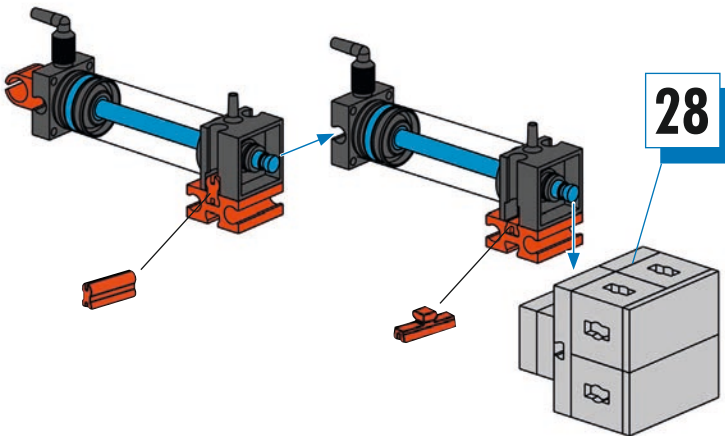
26



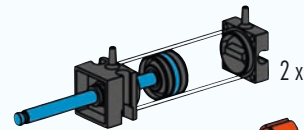
27

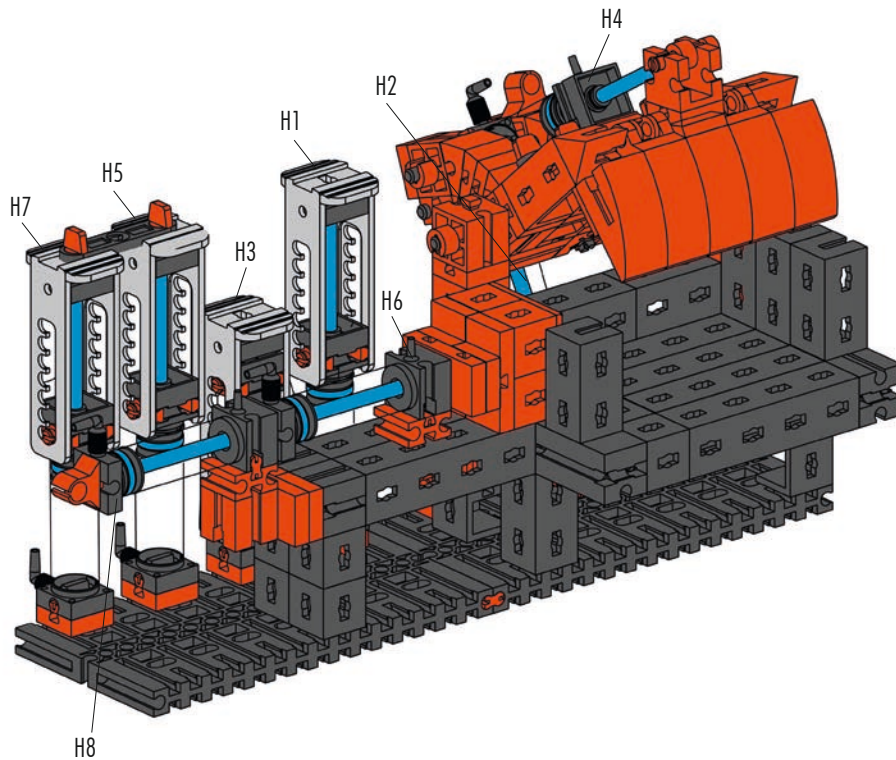
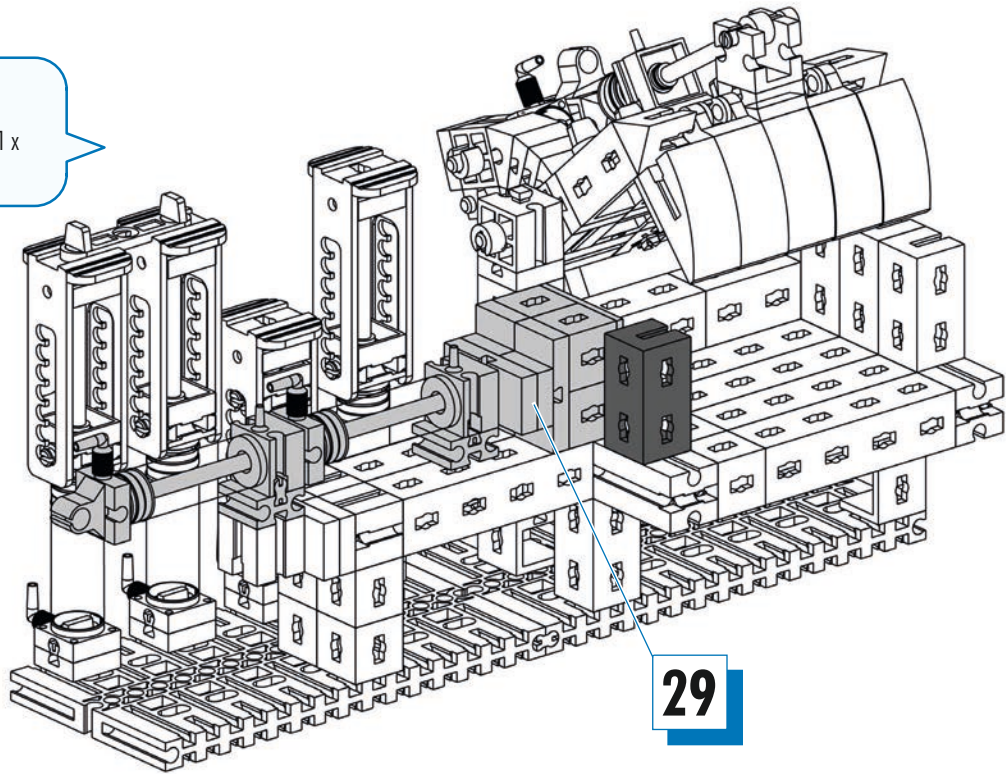
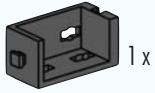


28



29



30

Zylinder mit Wasser befüllen: siehe didaktisches Begleitmaterial

Fill cylinder with water: see instructional materials

Remplir le cylindre d'eau : voir matériel d'accompagnement didactique

Cilinder vullen met water: zie didactisch materiaal

Llenar cilindro con agua: véase material didáctico adjunto

Encher cilindro com água: ver o material didático de apoio

Riempire il cilindro con acqua: vedere il materiale didattico allegato

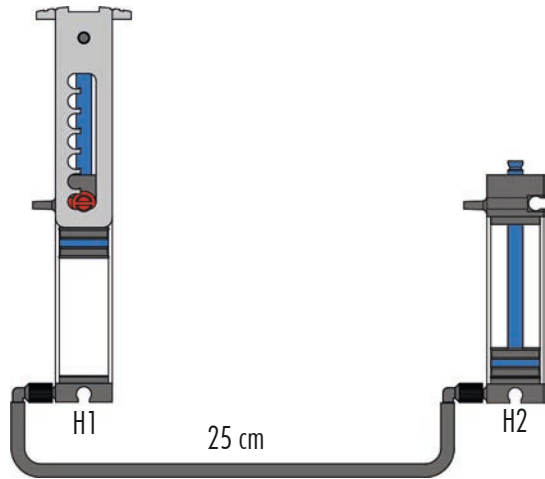
Наполнение цилиндра водой: см. сопроводительный

дидактический материал

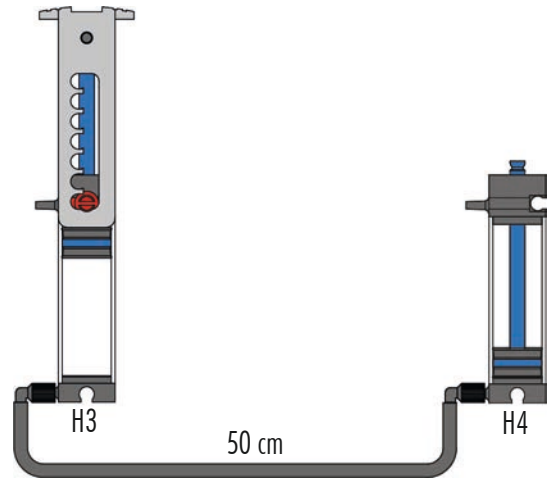
为汽缸加水：参见教学材料

www.fischertechnik-elearning.com

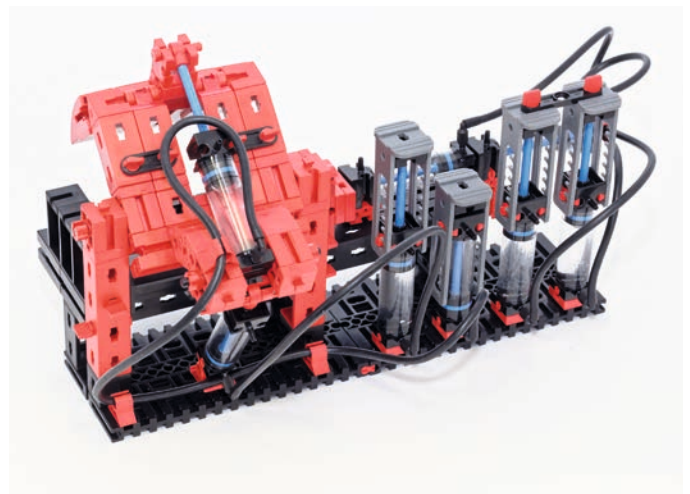
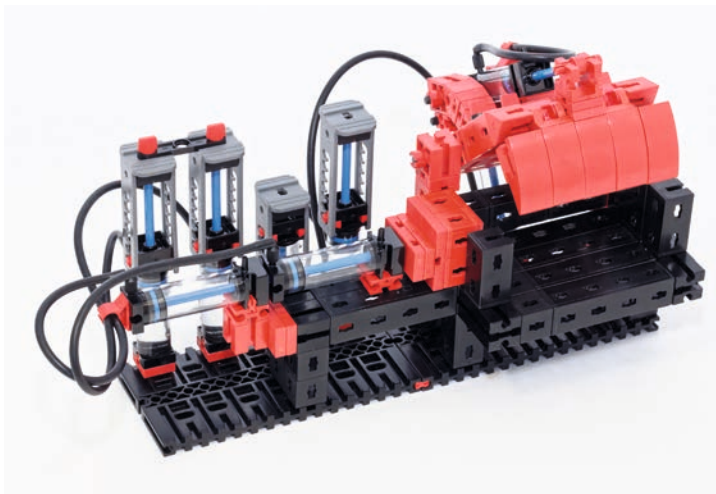
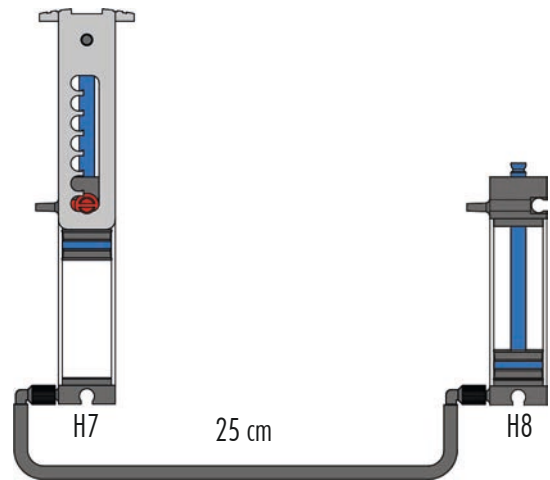
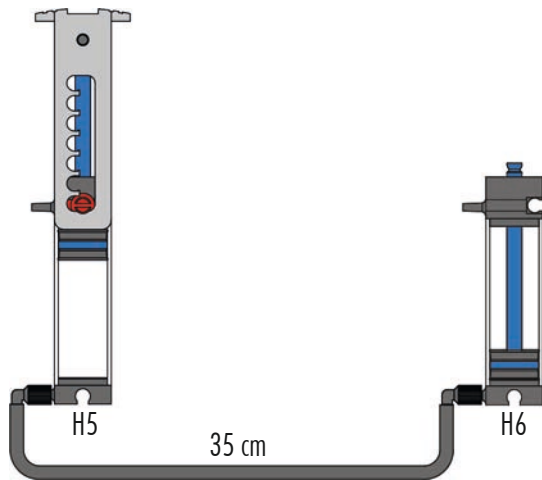
Schlauchanschlussplan
Air line layout plan
Plan de raccordement de conduits



Aansluitschema van slang
Racor de empalme
Plano de conexão de mangueira



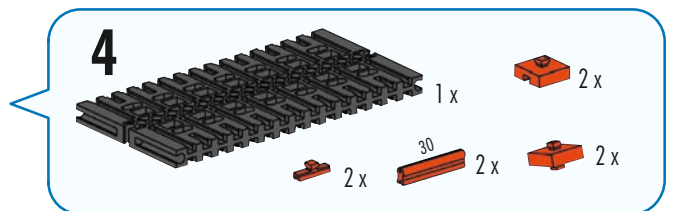
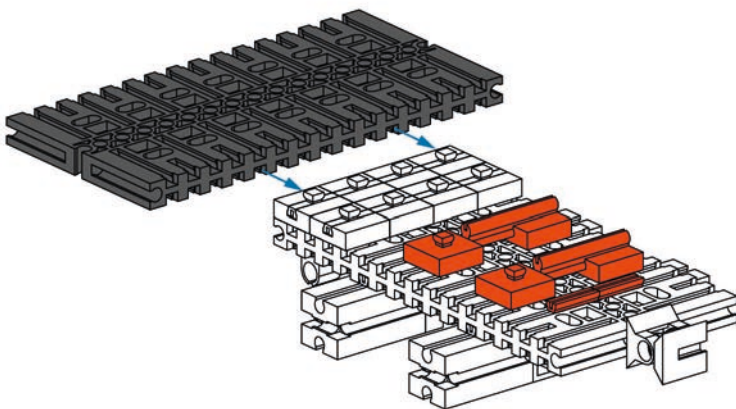
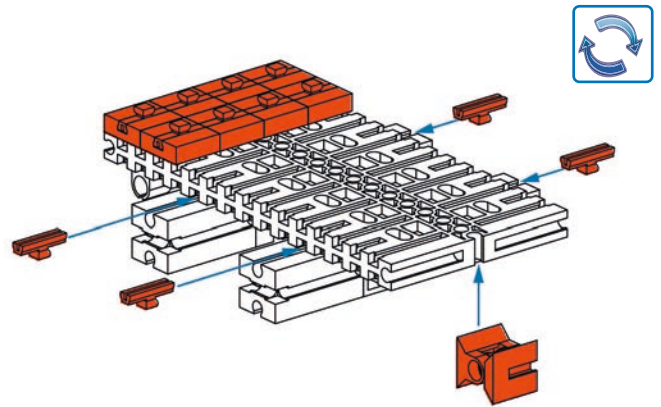
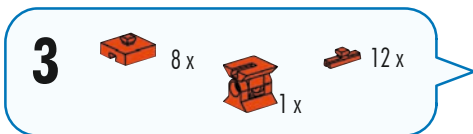
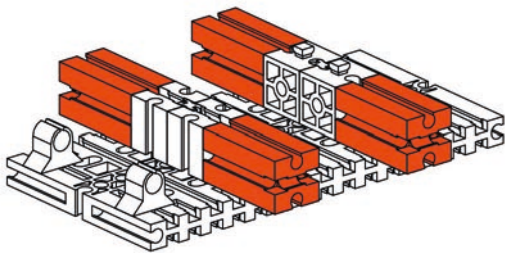
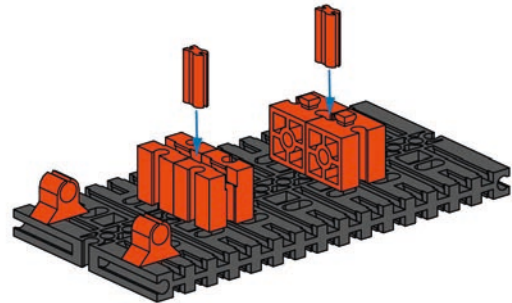
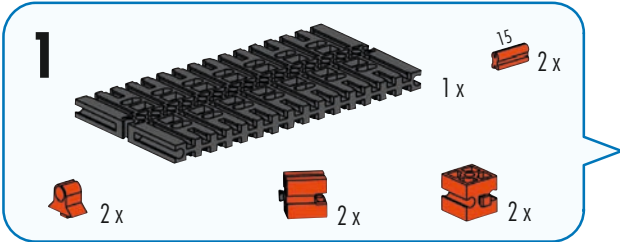
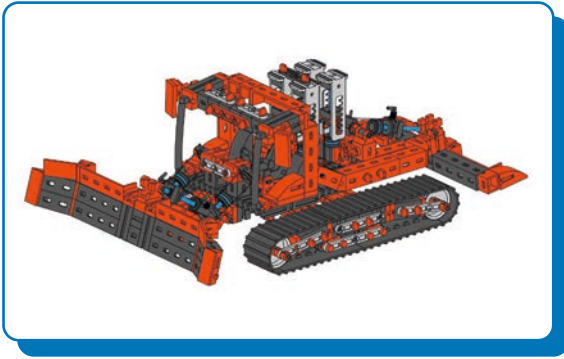
Schema di allacciamento tubi
Схема подключения шлангов
软管连接图

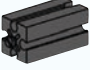





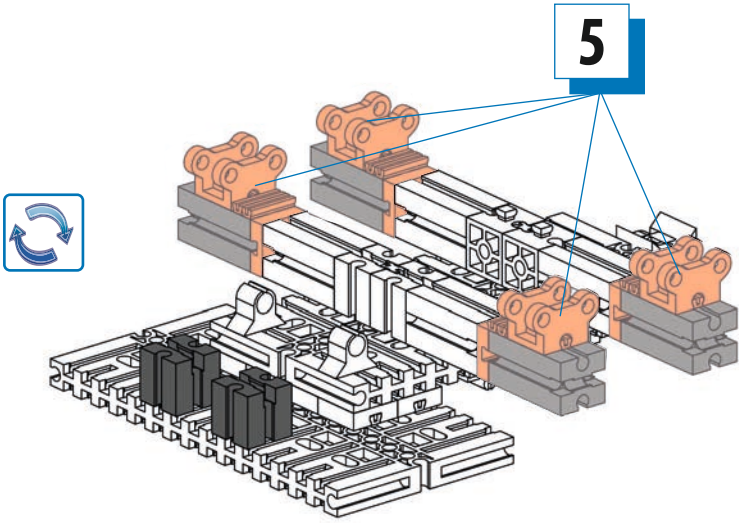
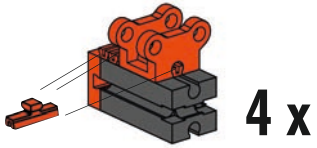
Pistenraupe
Snowcat
Dameuse


Snowcat
Pisanieves
Niveladora de neve

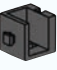



Gatto delle nevi aerea
Гусеничный
снегоуплотнитель
雪道推平车

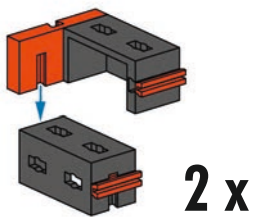
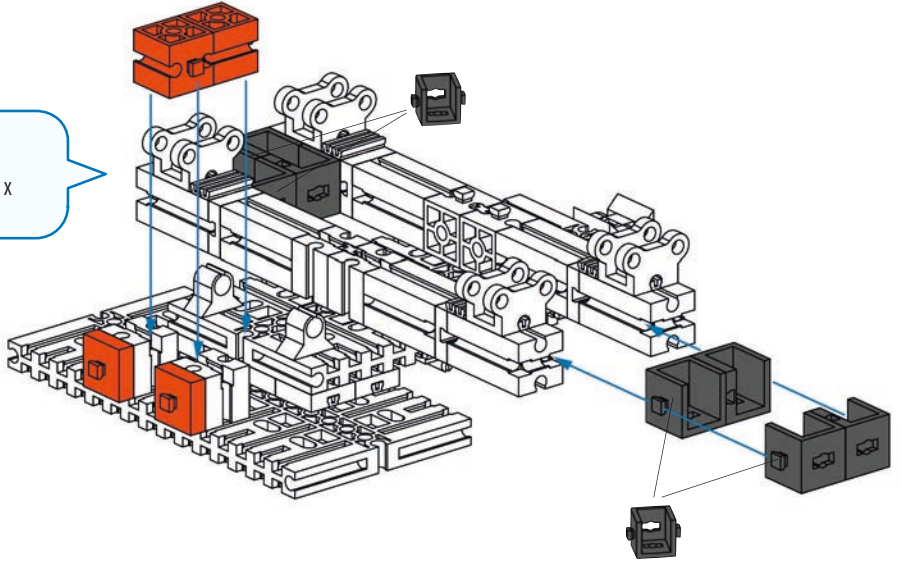


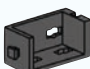


5  4 x  4 x  4 x  12 x

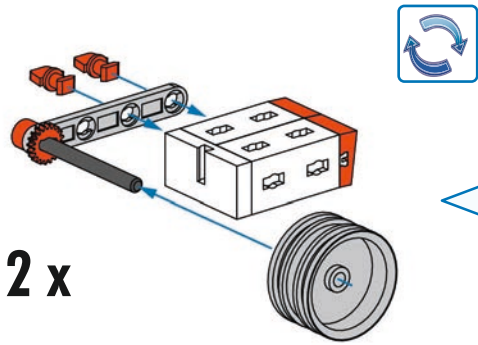


6  2 x

7  4 x  4 x  2 x  2 x



8  4 x  2 x  4 x



2 x



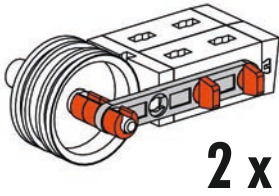
9

- 4 x
- 2 x
- 2 x
- 2 x
- 2 x
- 4 x

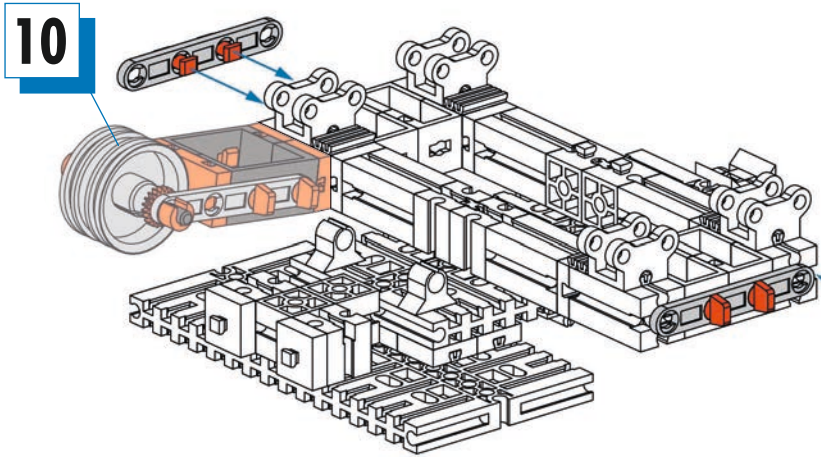
50 mm

10

- 2 x
- 4 x
- 6 x



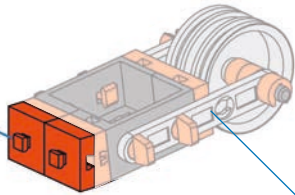
2 x



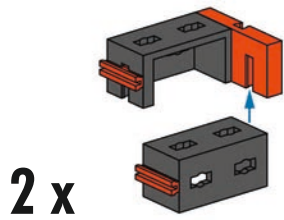
10

11

- 2 x
- 4 x
- 2 x









10



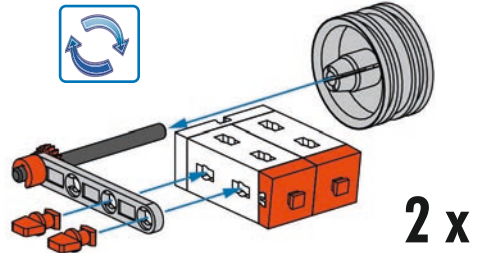
2 x

12

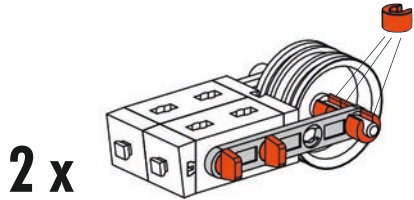
- 4 x
- 2 x
- 4 x




13  4 x  2 x  2 x  2 x  2 x  4 x





50 mm

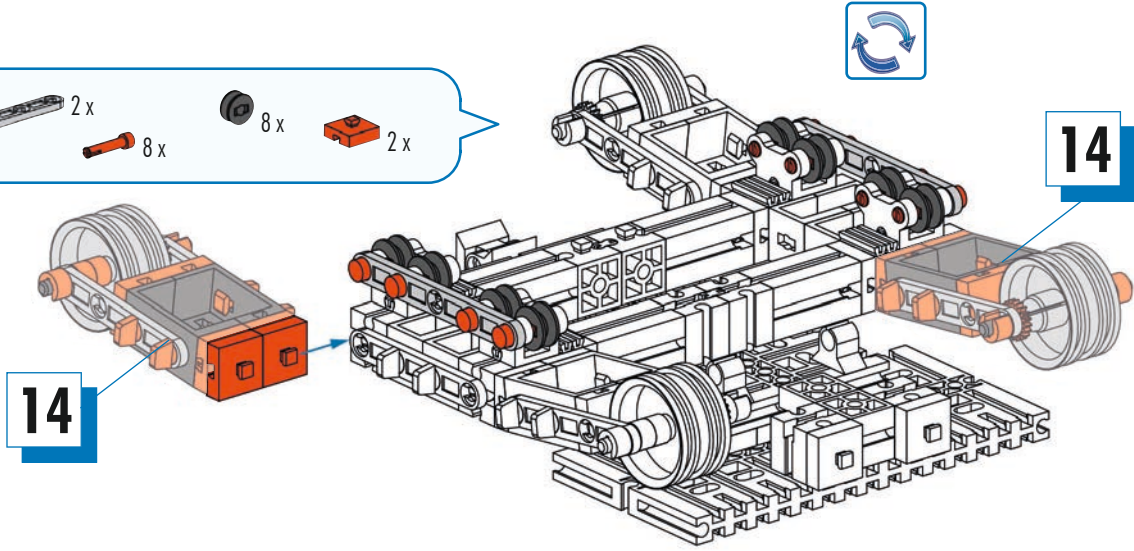


2 x



2 x 

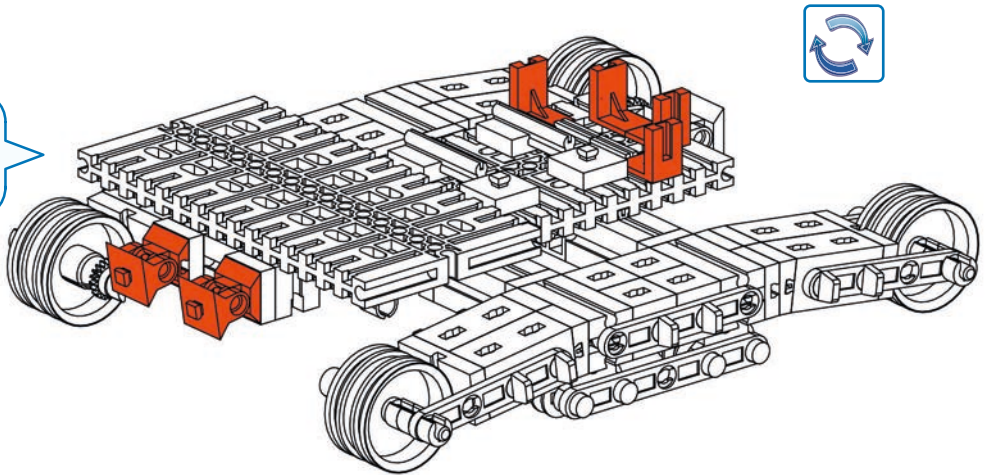
14  2 x  4 x  6 x

15  2 x  8 x  8 x  2 x

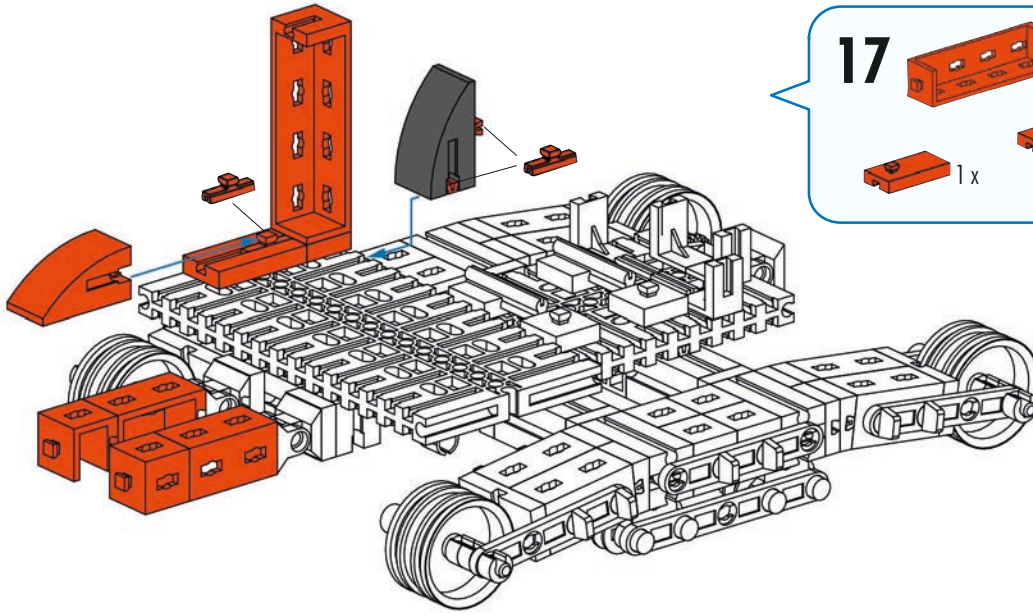


14

16  2 x  4 x



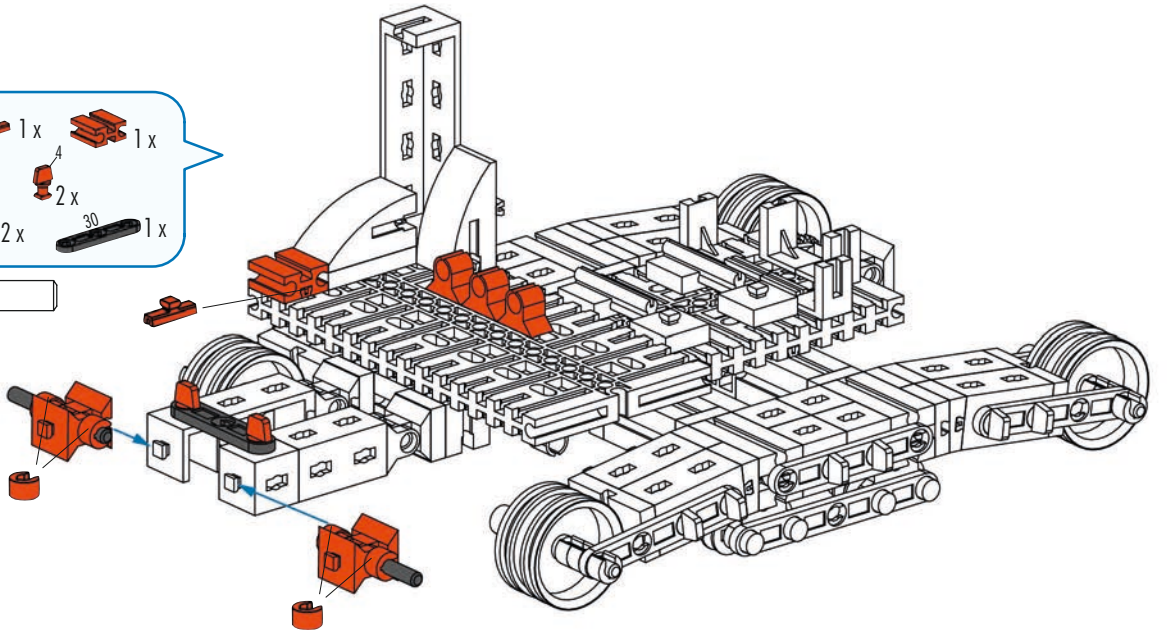
14



- 17**
- 1x (orange 1x3 Technic beam)
 - 2x (orange 1x2 Technic beam)
 - 2x (orange 1x2 Technic beam)
 - 1x (orange 1x2 Technic beam)
 - 1x (orange 1x2 Technic beam)
 - 3x (orange 1x2 Technic beam)
 - 1x (grey 1x2 Technic beam)
 - 1x (orange 1x2 Technic beam)

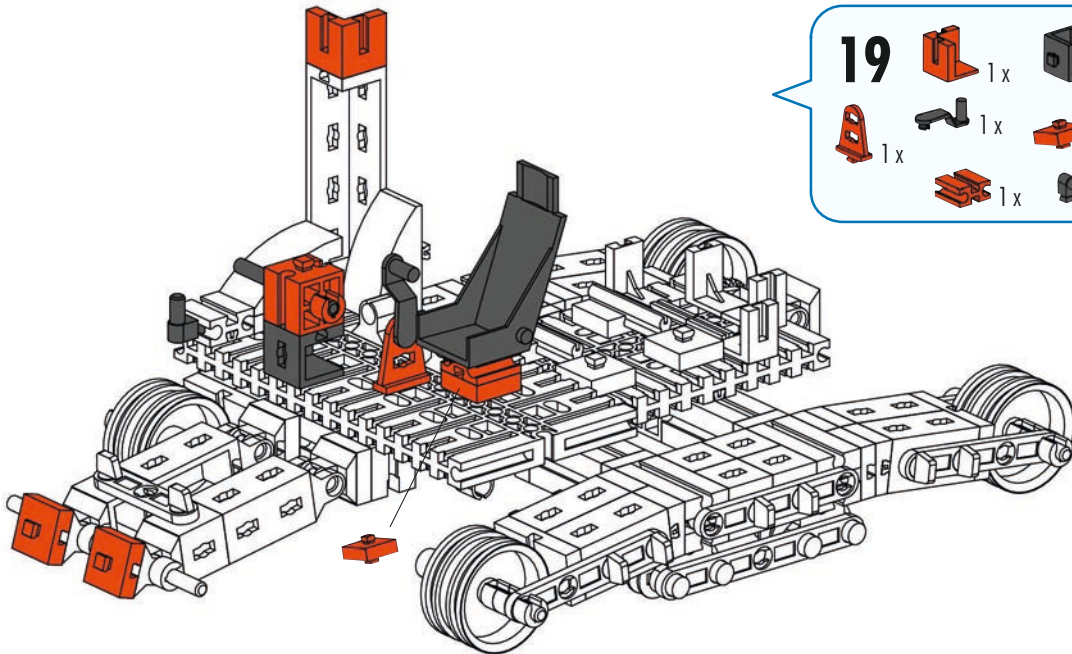
- 18**
- 3x (orange 1x2 Technic beam)
 - 1x (orange 1x2 Technic beam)
 - 1x (orange 1x2 Technic beam)
 - 2x (grey 40mm axle)
 - 4x (orange 1x2 Technic beam)
 - 2x (orange 1x2 Technic beam)
 - 2x (orange 1x2 Technic beam)
 - 1x (grey 30mm axle)

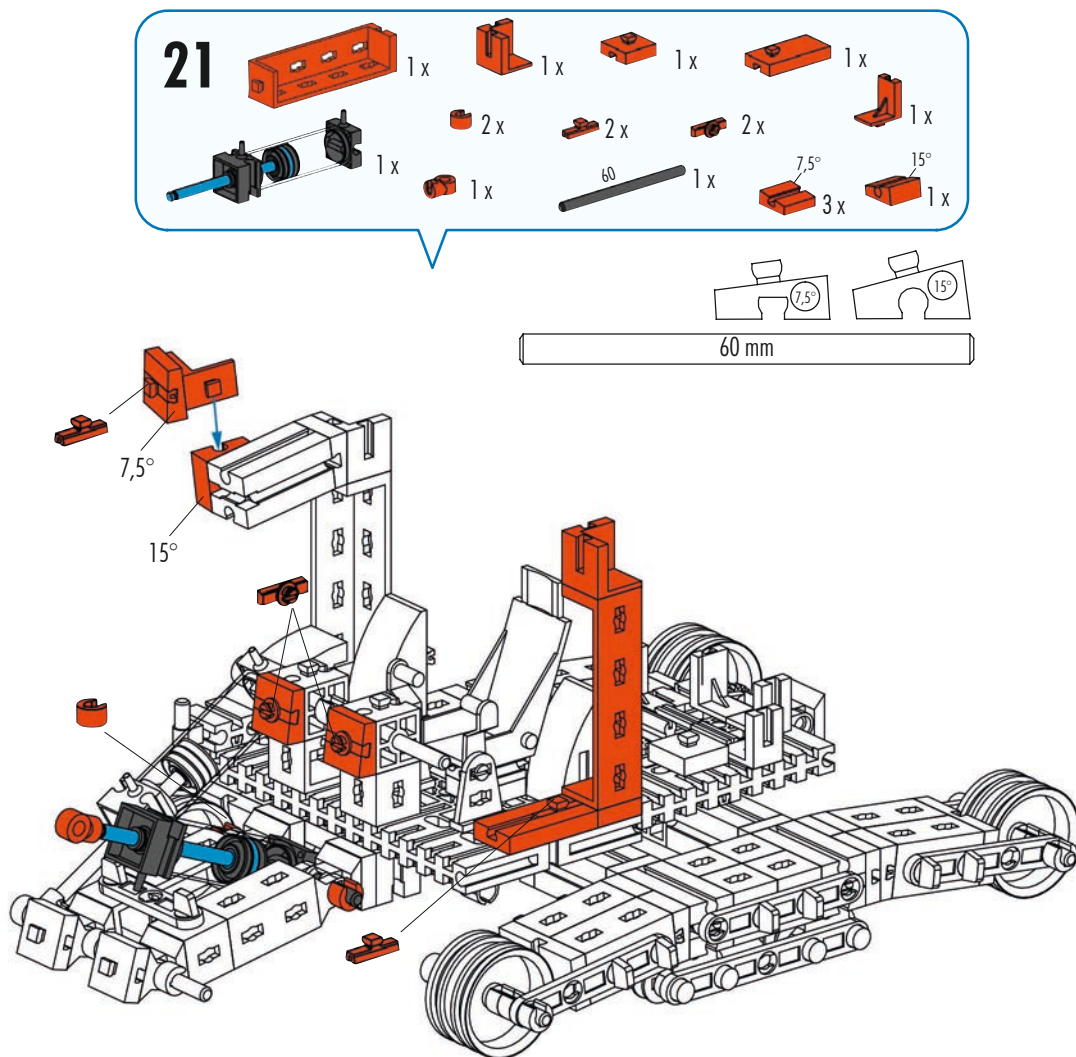
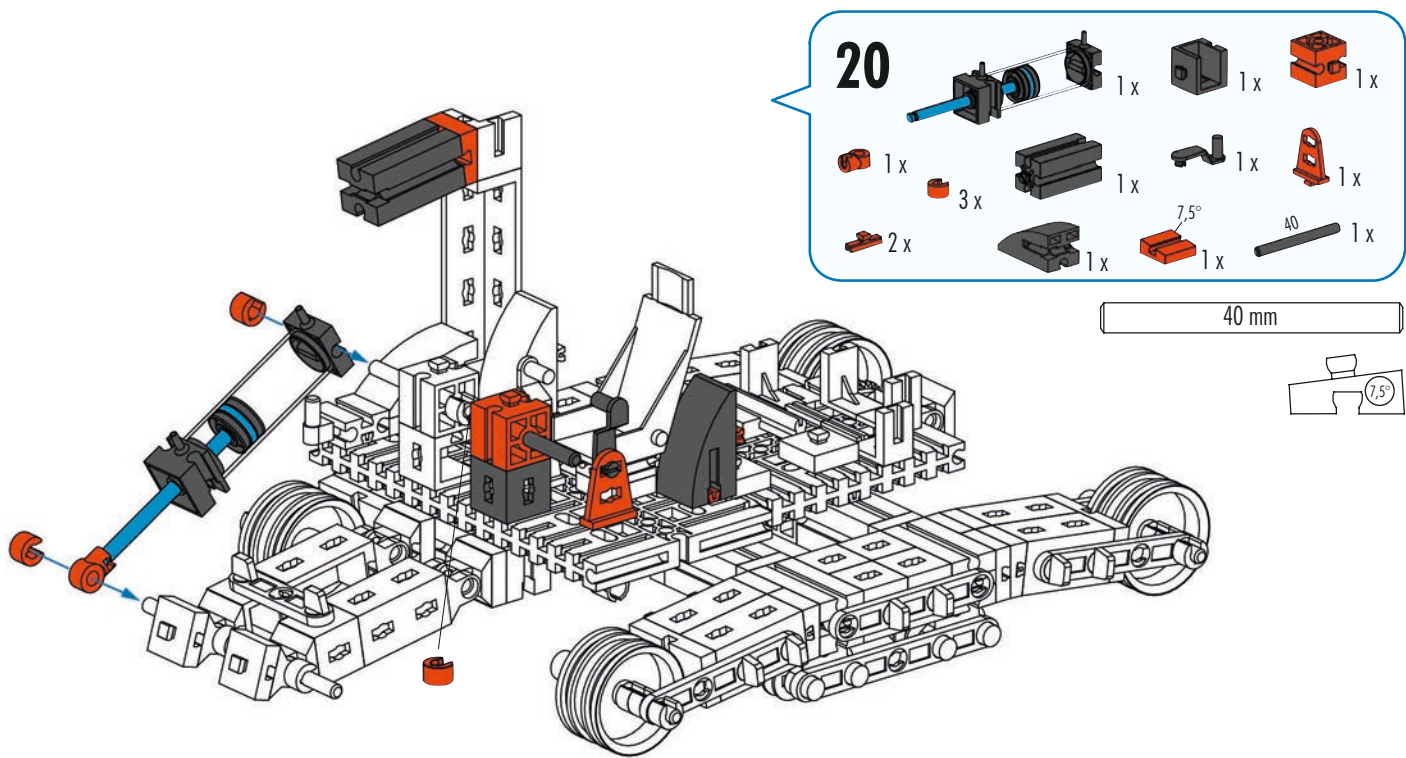
40 mm



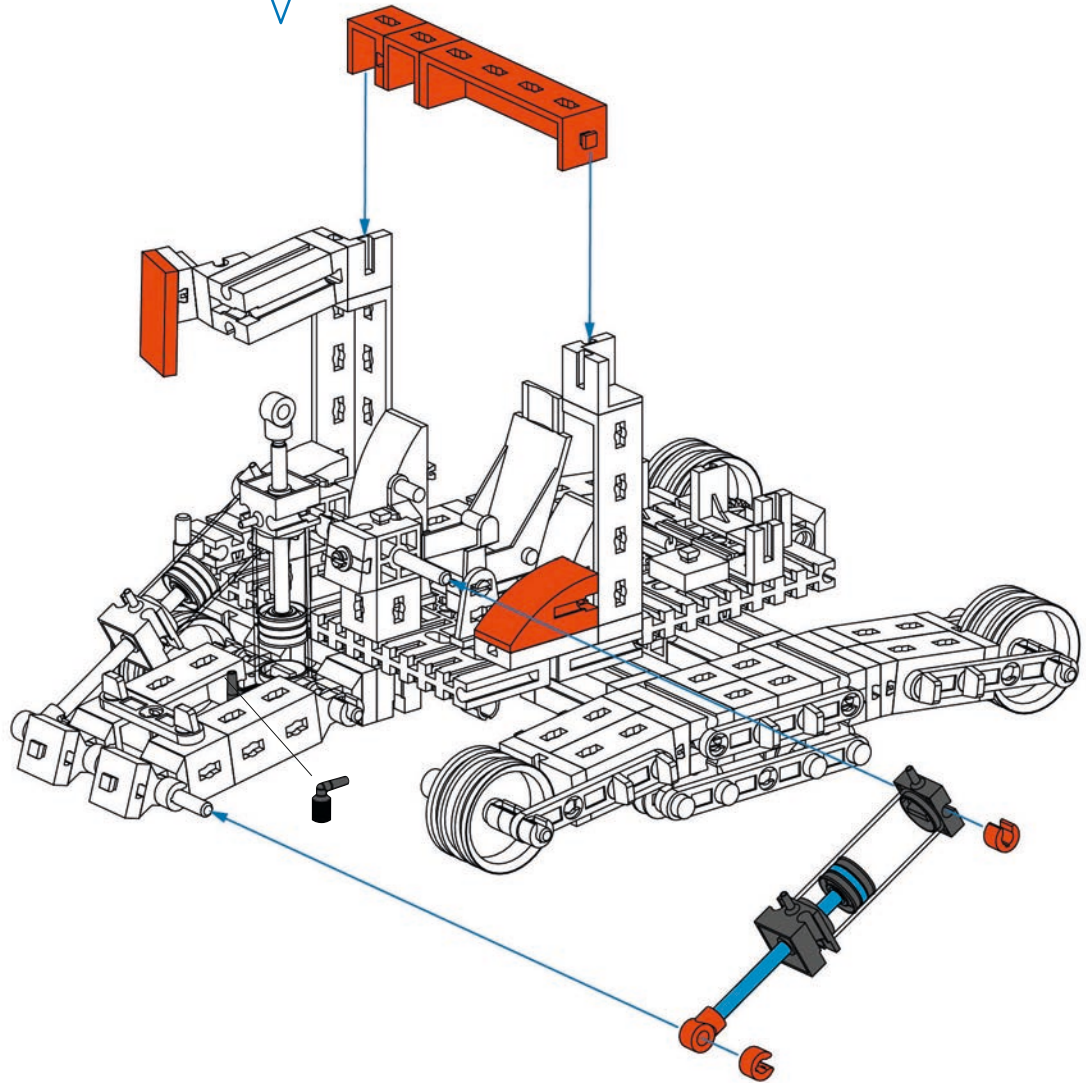
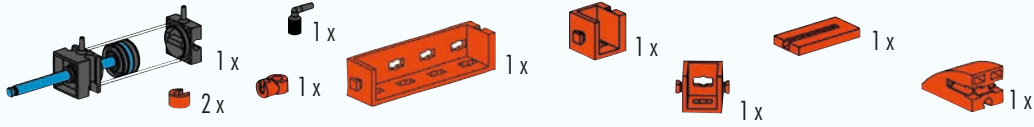
- 19**
- 1x (orange 1x2 Technic beam)
 - 1x (grey 1x2 Technic beam)
 - 1x (orange 1x2 Technic beam)
 - 1x (orange 1x2 Technic beam)
 - 2x (orange 1x2 Technic beam)
 - 1x (grey 1x2 Technic beam)
 - 1x (orange 1x2 Technic beam)
 - 1x (grey 1x2 Technic beam)
 - 1x (grey 40mm axle)
 - 1x (orange 1x2 Technic beam)

40 mm

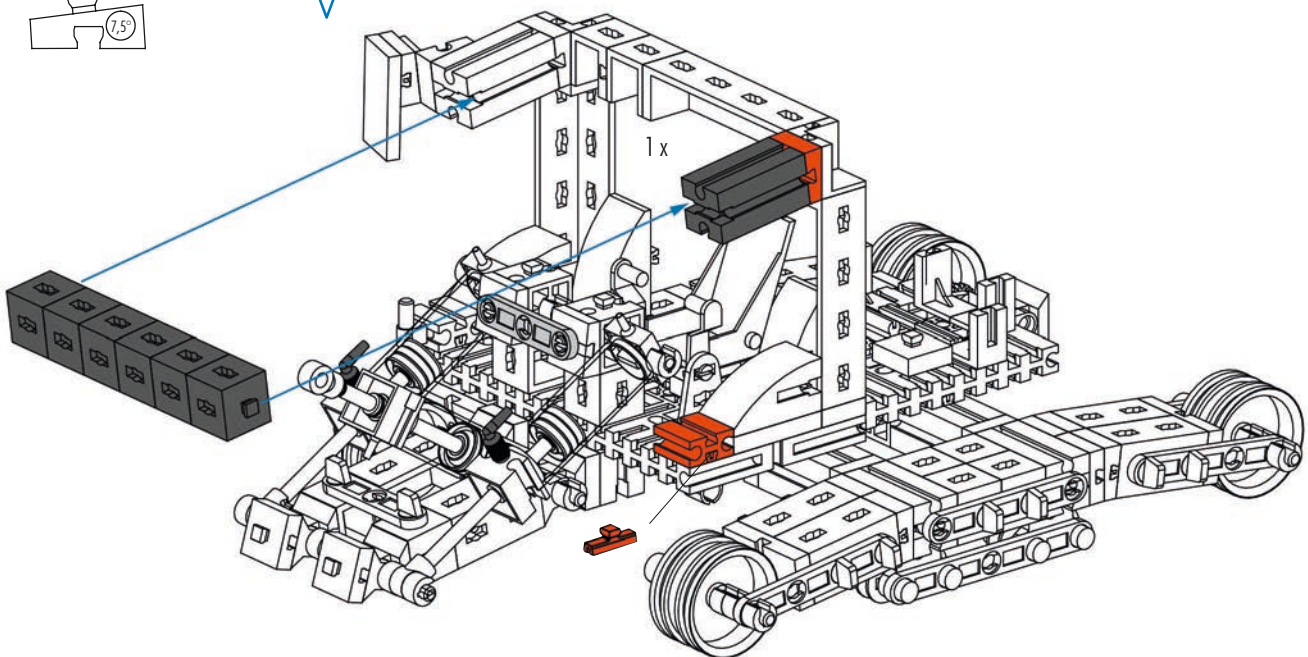
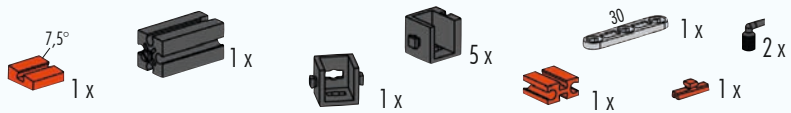




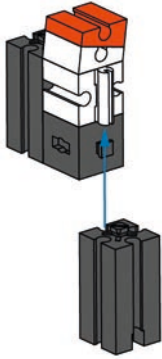
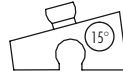
22



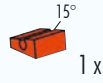
23



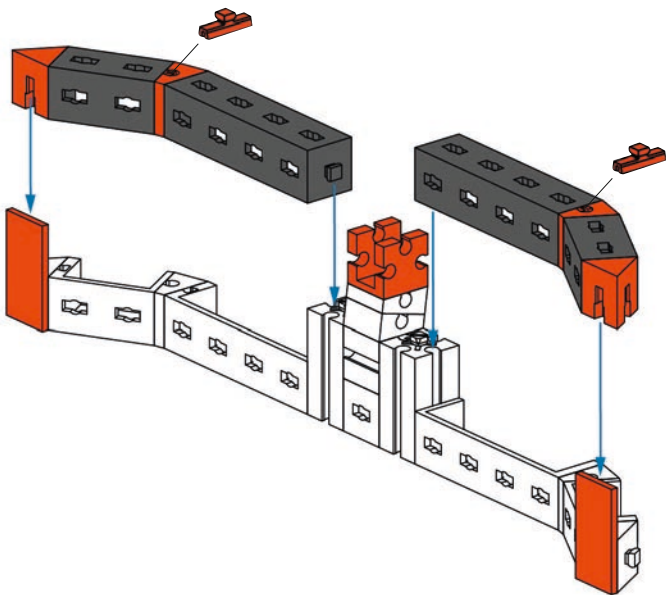
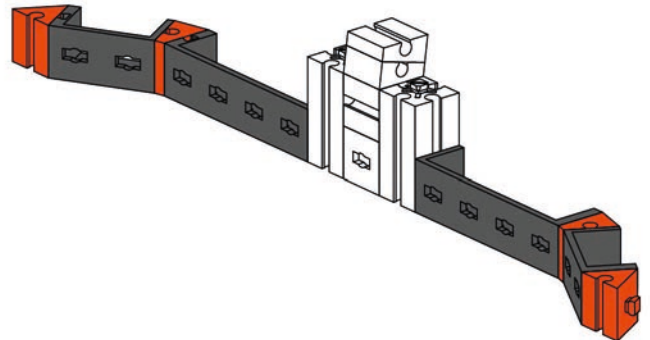
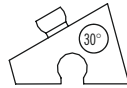
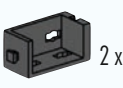
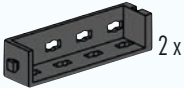
24



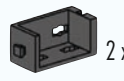
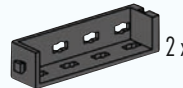
25

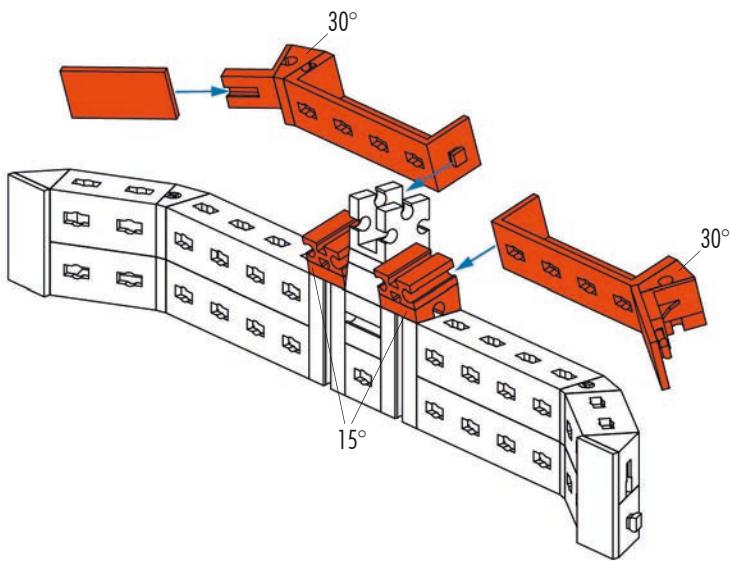


26



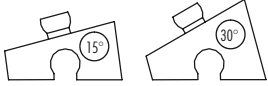
27





28

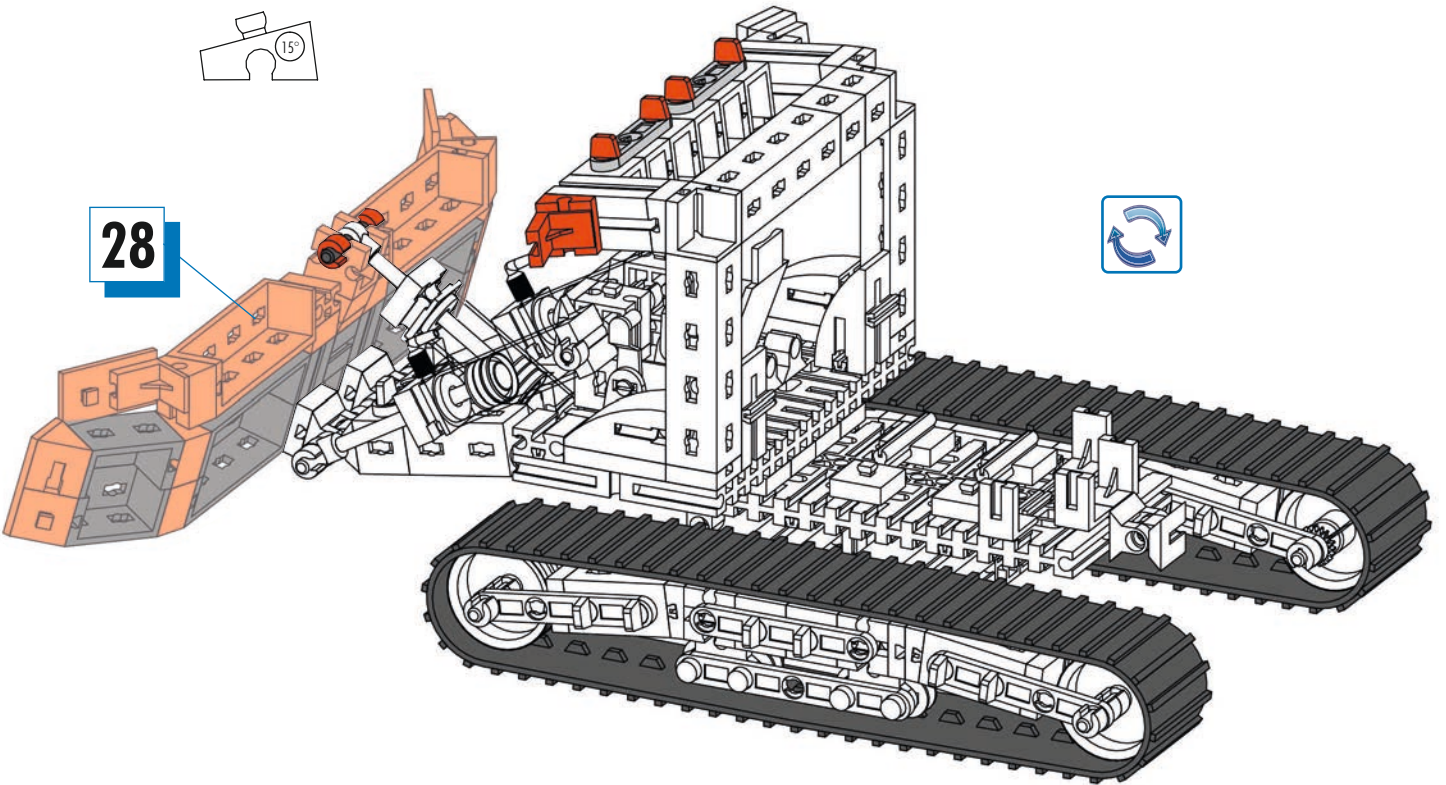
- Orange Technic beam 1x5 2x
- Orange Technic beam 1x3 2x
- Orange Technic beam 1x2 2x
- Orange Technic beam 1x1 2x
- Orange Technic beam 1x1 15° 2x
- Orange Technic beam 1x1 30° 2x



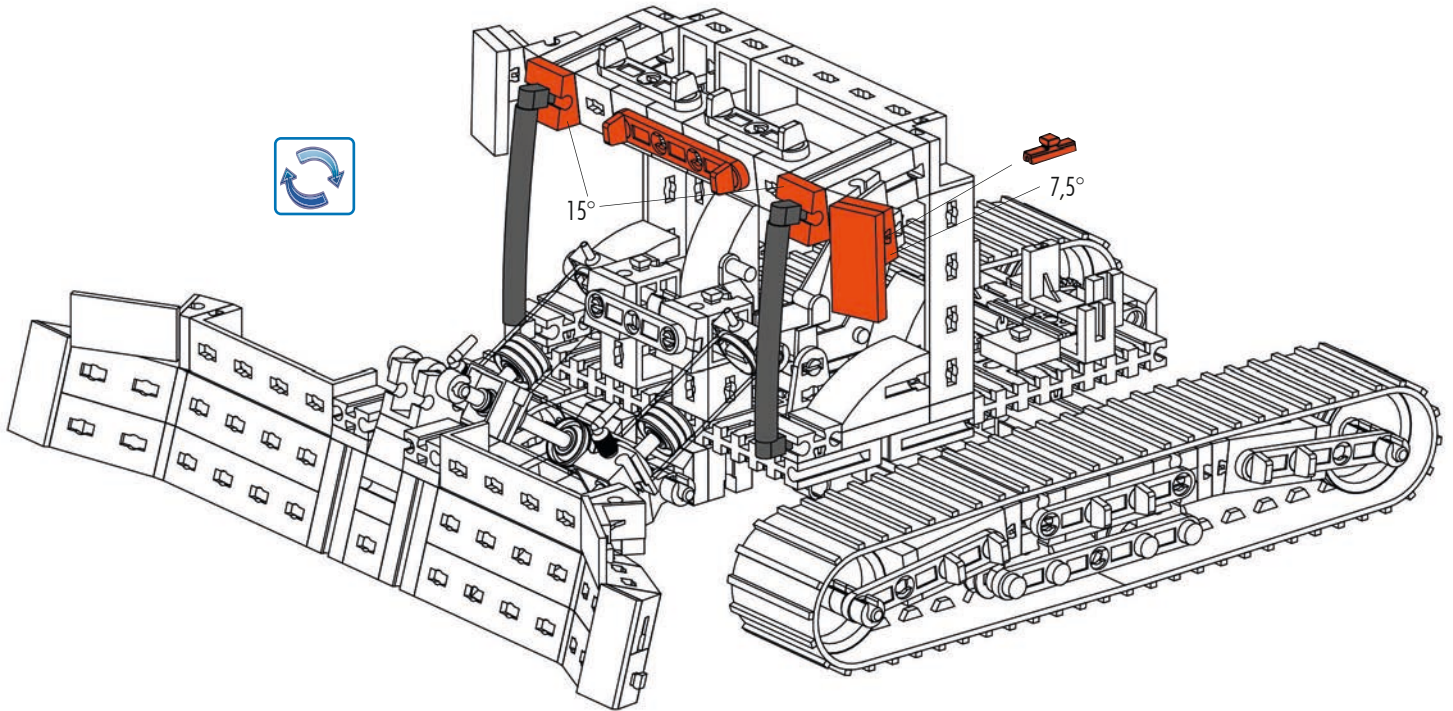
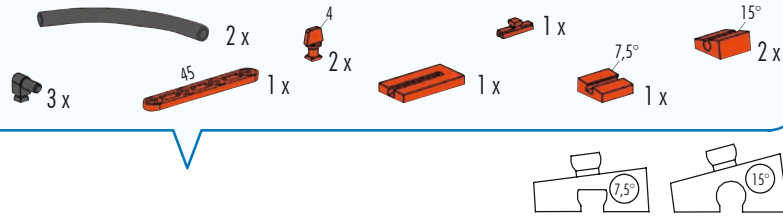
29

- Black rubber track 2x
- Grey Technic axle 30 2x
- Grey Technic axle 30 1x
- Red Technic pin A 4x
- Red Technic bush 2x
- Orange Technic beam 1x1 15° 1x
- Orange Technic beam 1x1 30° 1x

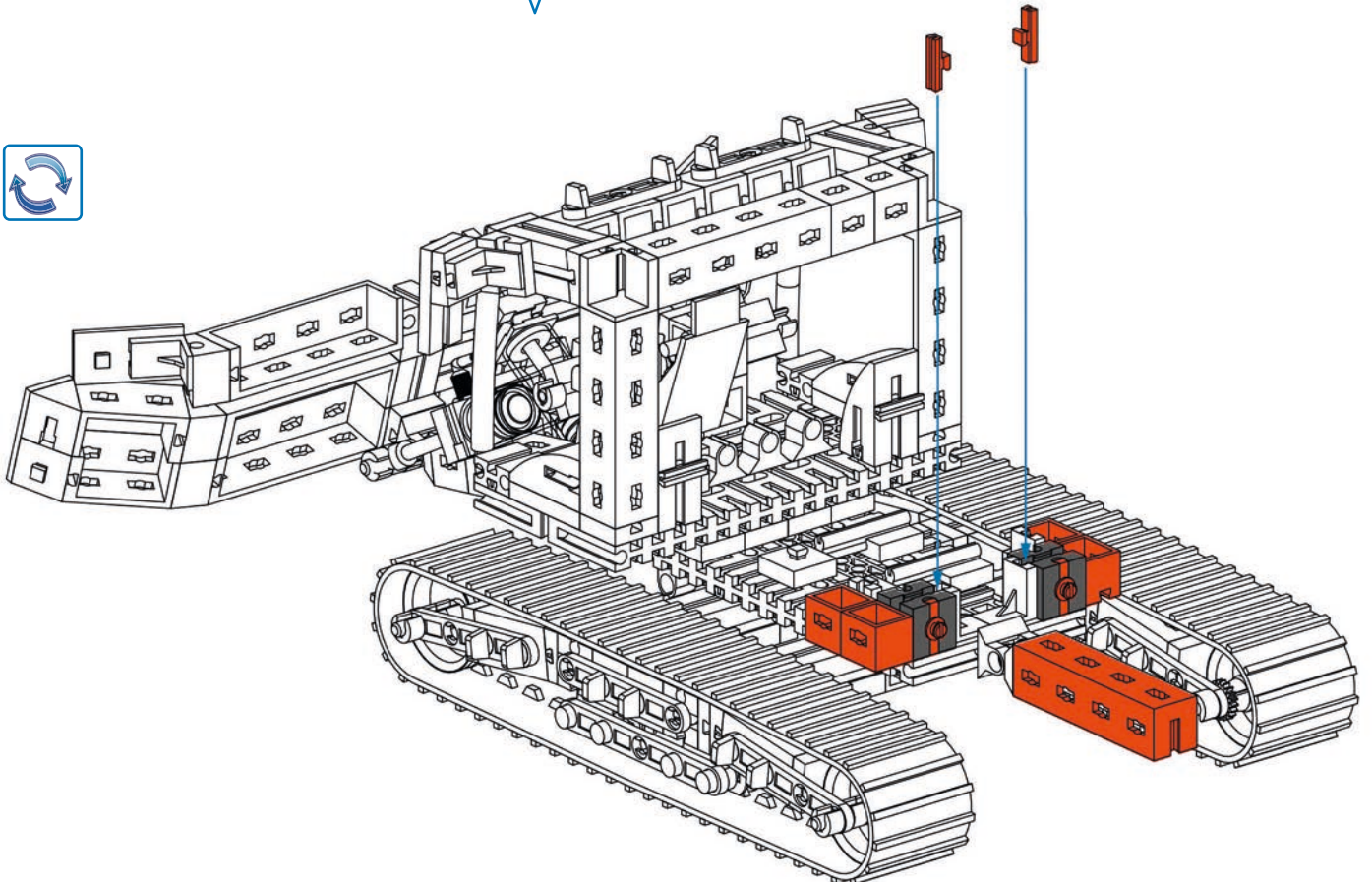
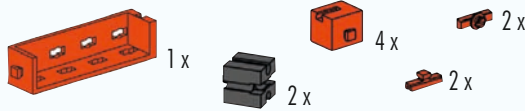
30 mm

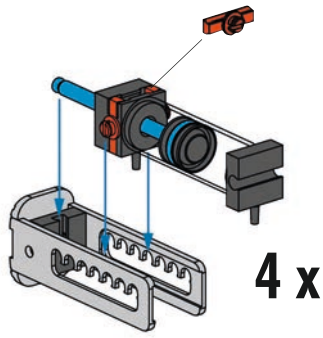


30



31



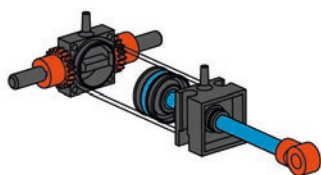
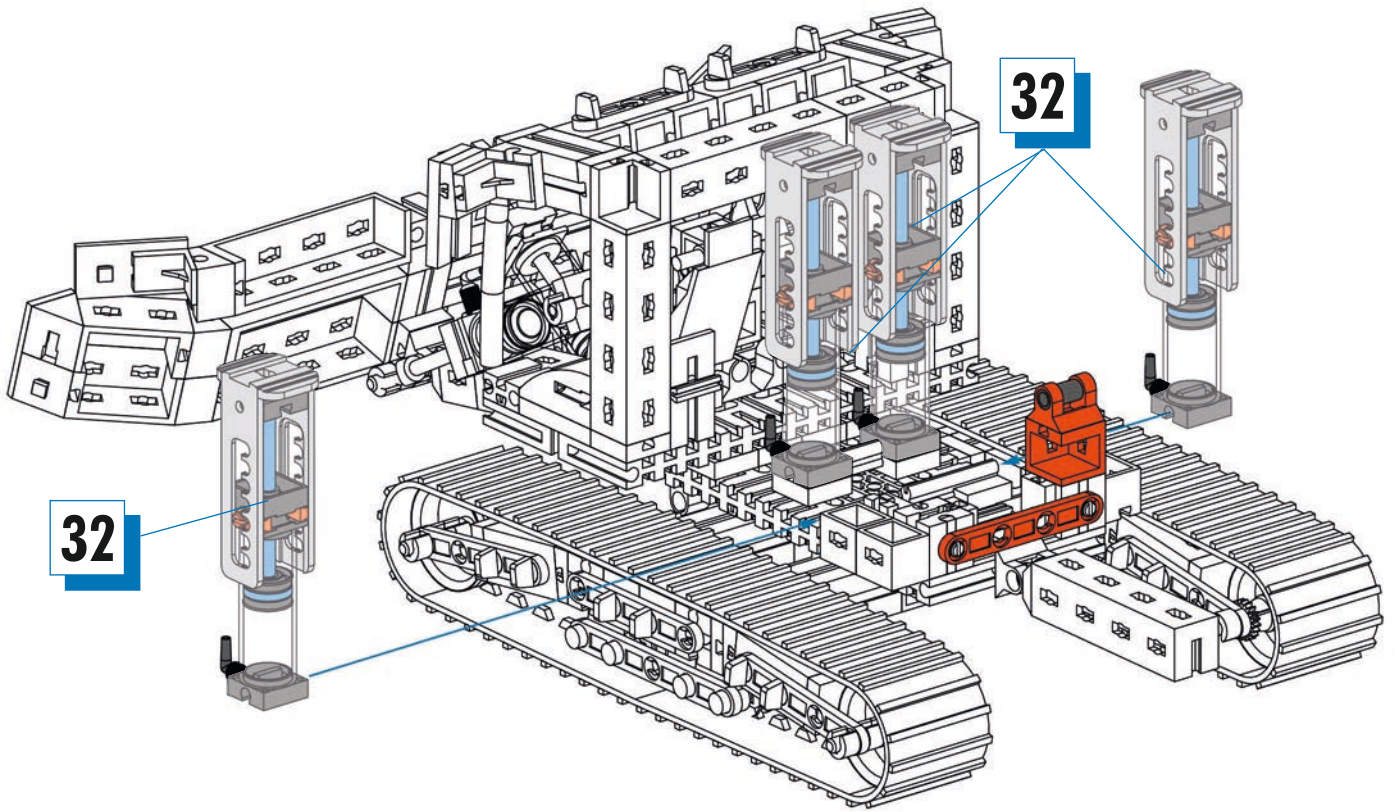


32

- 4x [Grey Motor Housing]
- 4x [Grey Track Guide]
- 4x [Black Axle Connector]
- 8x [Orange Pin]

33

- 1x [Orange Connector]
- 1x [Orange Pin]
- 1x [Orange Technic Beam 45]
- 4x [Black Axle Connector]



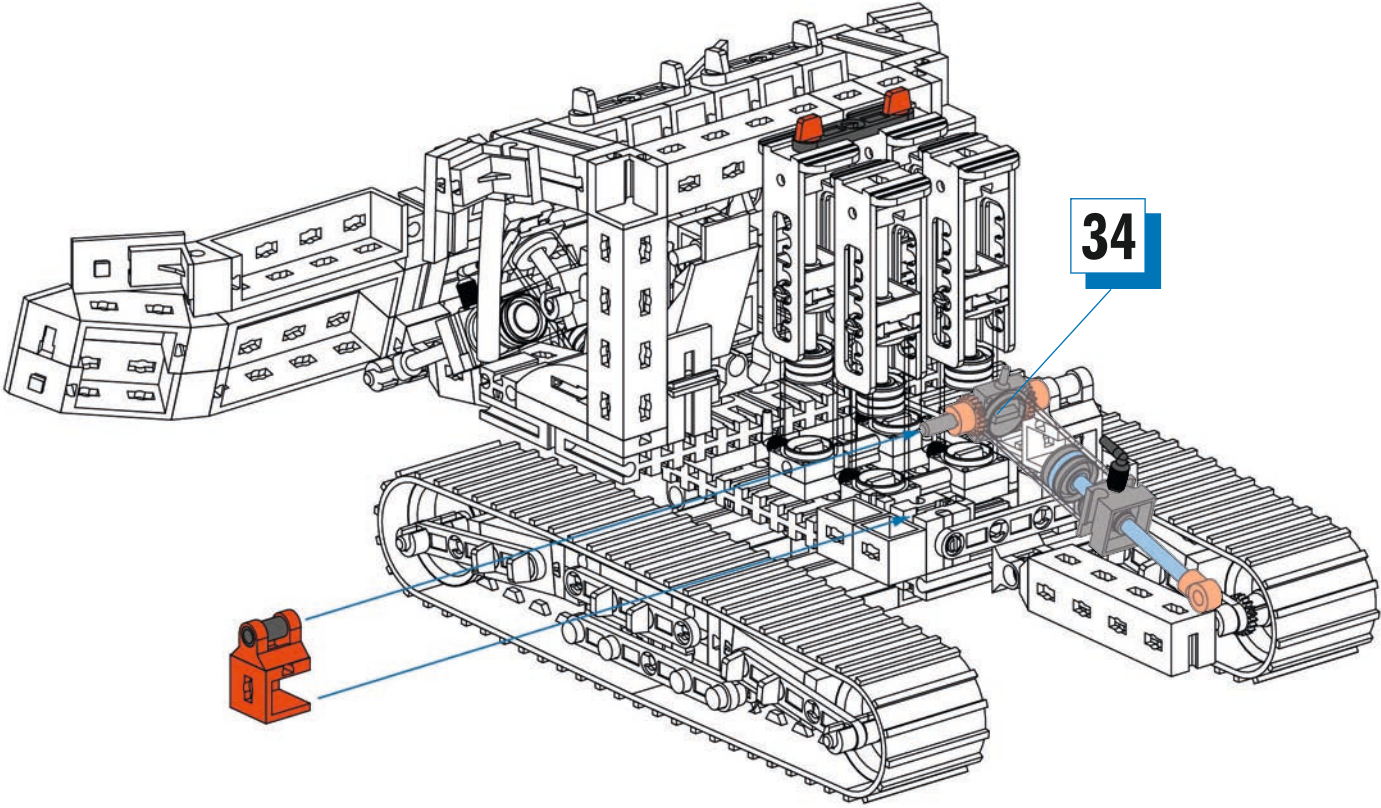
34

- 1x [Grey Motor Housing]
- 1x [Red Axle Connector]
- 2x [Black Axle Connector]
- 1x [Grey Technic Beam 50]
- 2x [Orange Pin]

50 mm

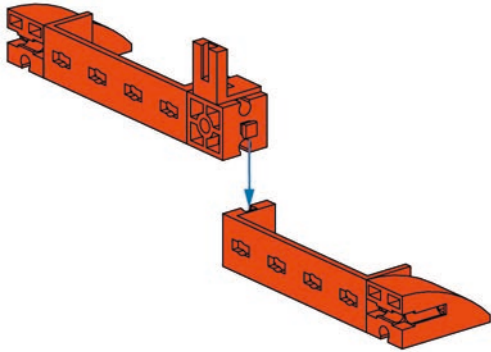
35

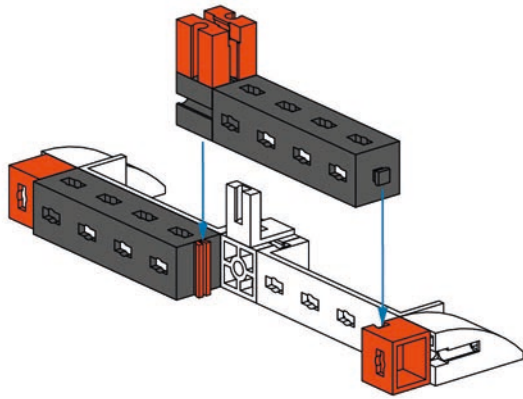
- 1x [Red 1x3 Technic Brick]
- 1x [Red 1x3 Technic Brick with Pinhole]
- 1x [Black Technic Pin 30]
- 2x [Red Technic Pin with Friction Ridge]
- 1x [Black Technic Pin with Friction Ridge]



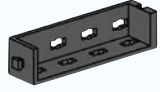




36

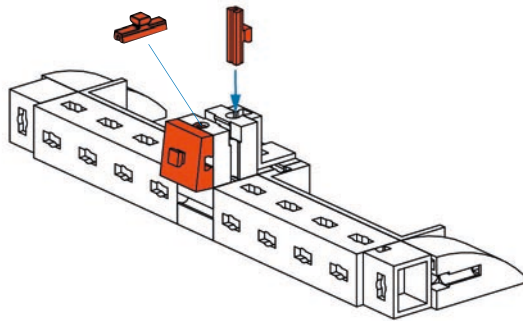
- 2x [Red 1x6 Technic Beam]
- 2x [Red 1x3 Technic Beam with Pinhole]
- 1x [Red 1x3 Technic Beam with Pinhole]
- 1x [Red 1x3 Technic Beam with Pinhole]





37

- 2x 
- 2x 
- 1x 
- 1x 
- 1x 



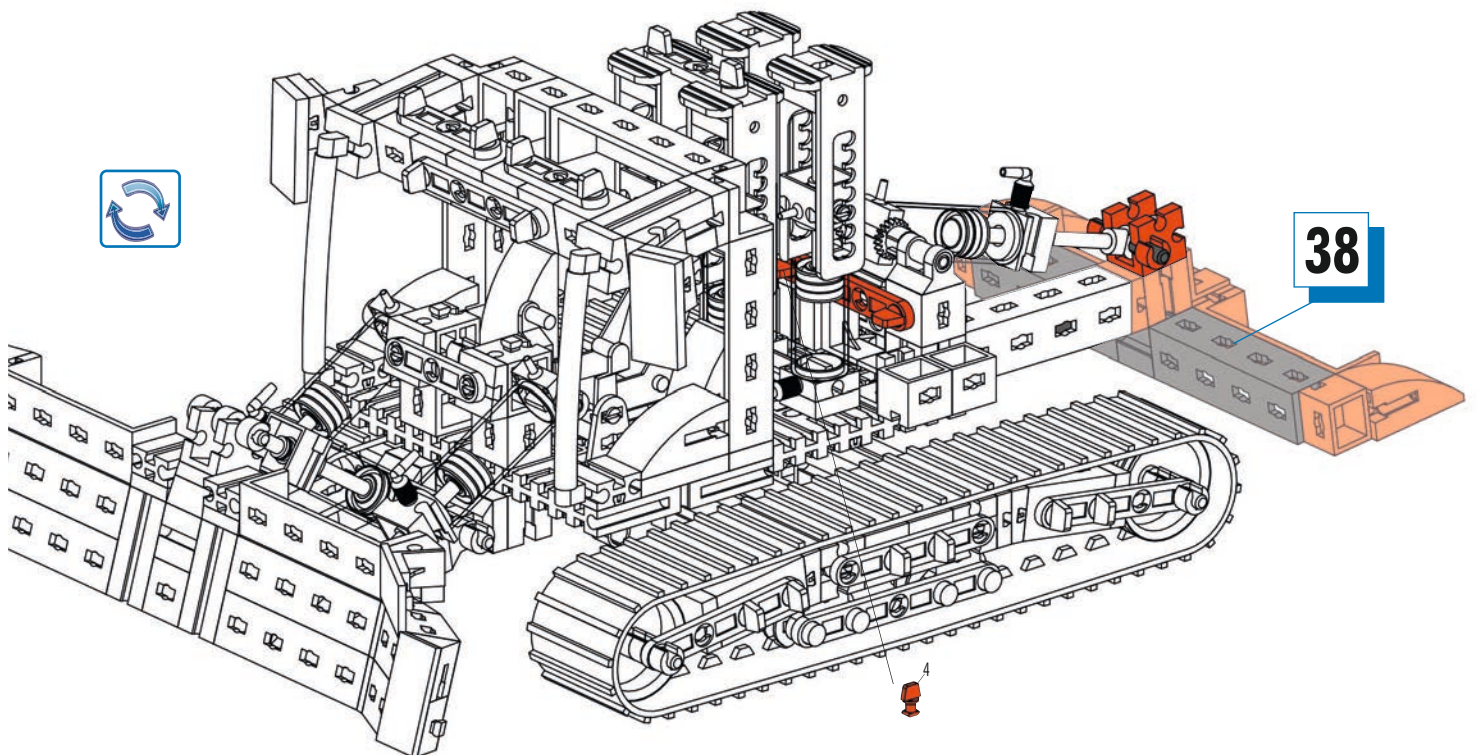
38

- 1x 
- 2x 

39

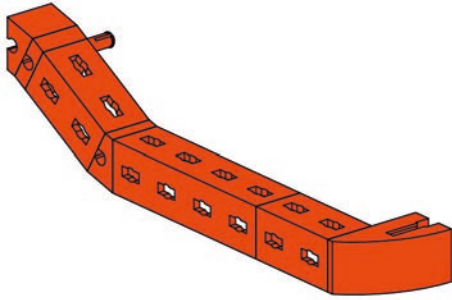
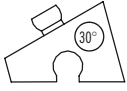
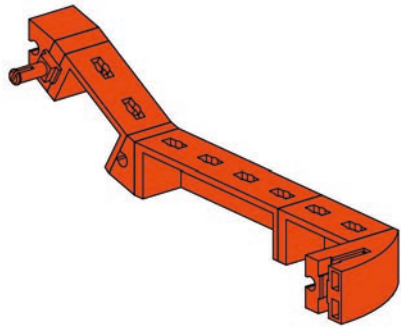
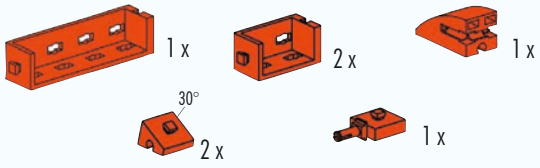
- 1x 
- 1x 
- 2x 
- 2x 
- 1x 

30 mm

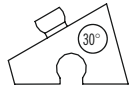
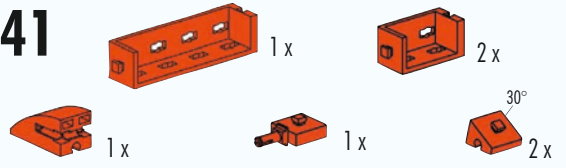


38

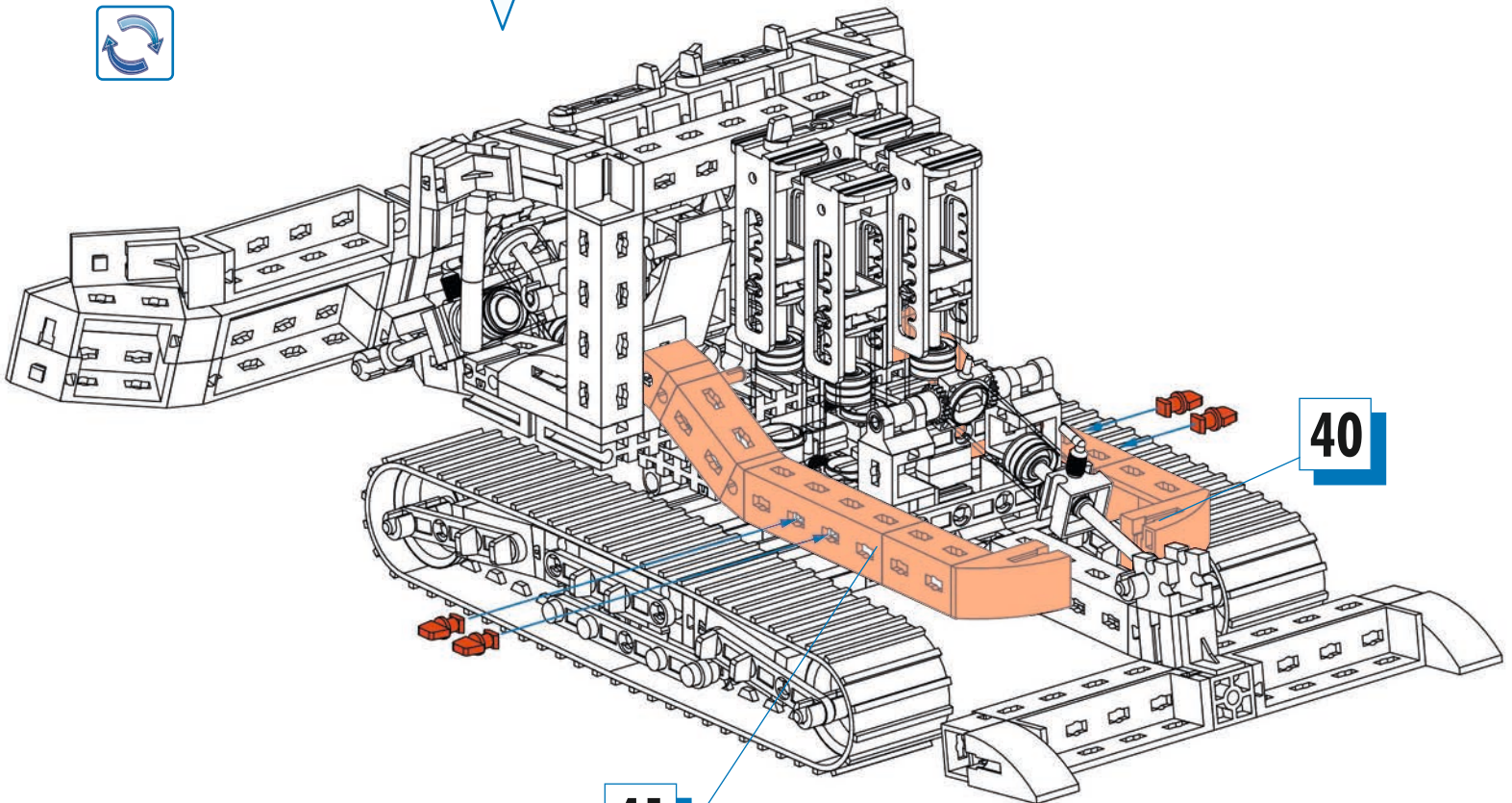
40



41

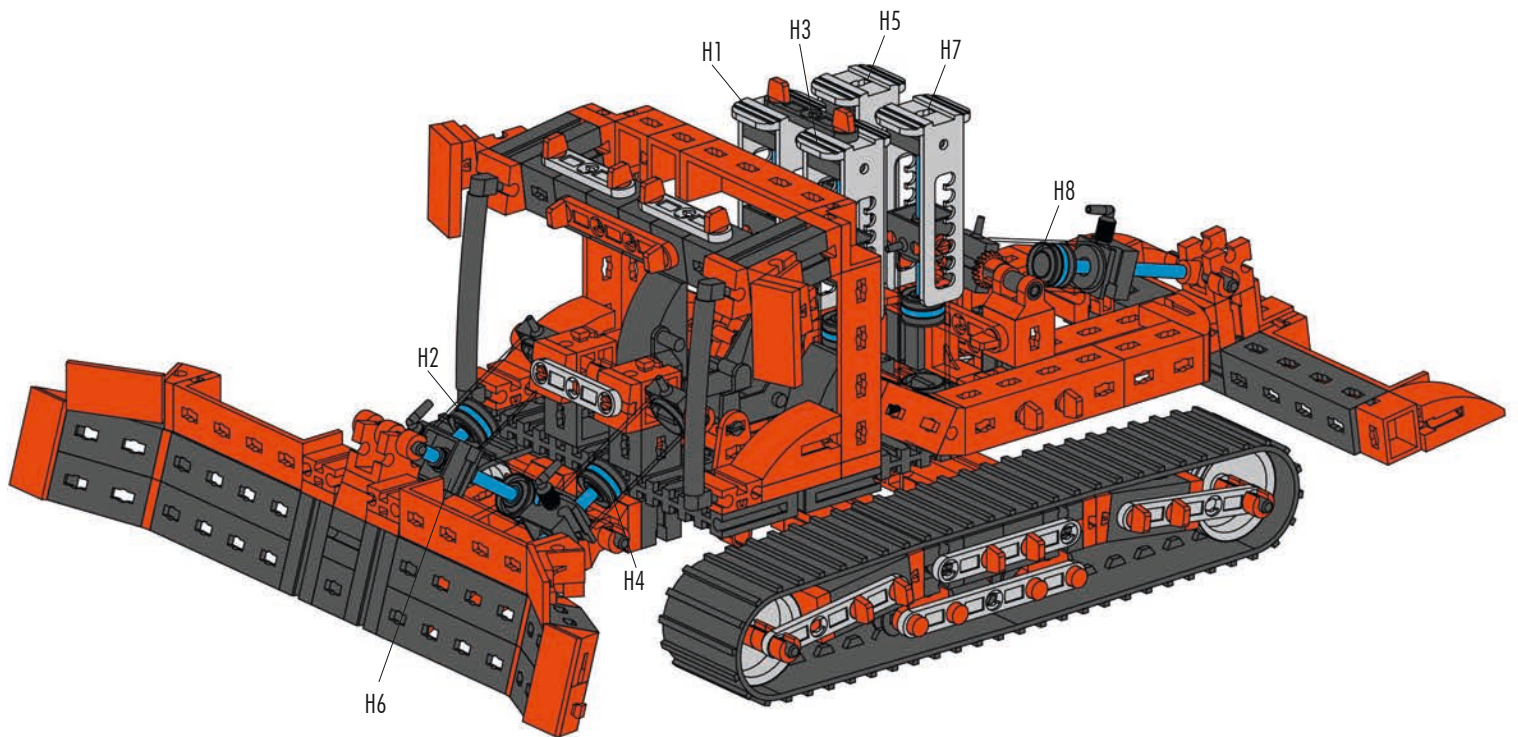


42



41

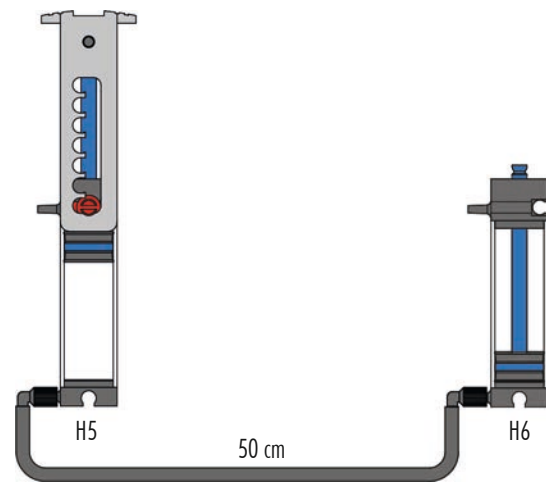
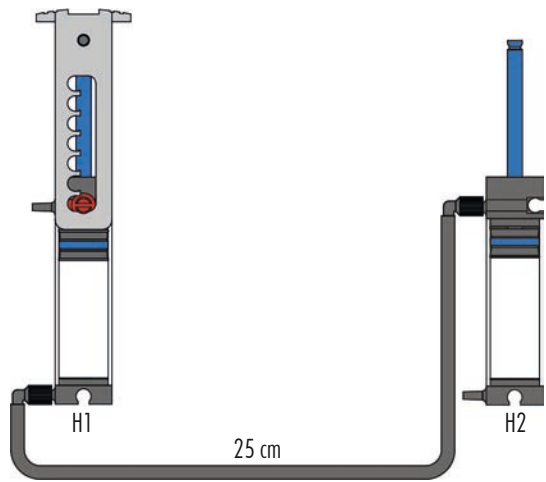
40



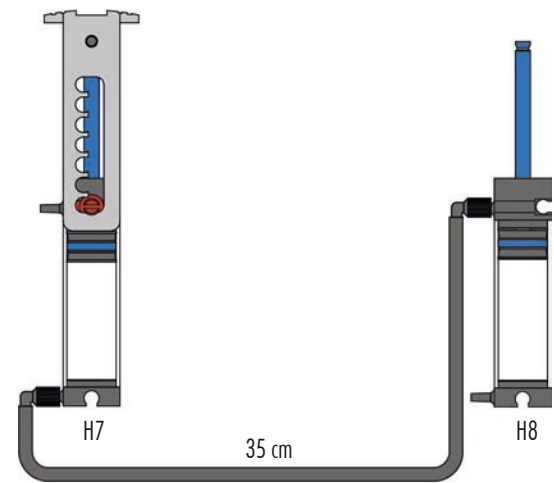
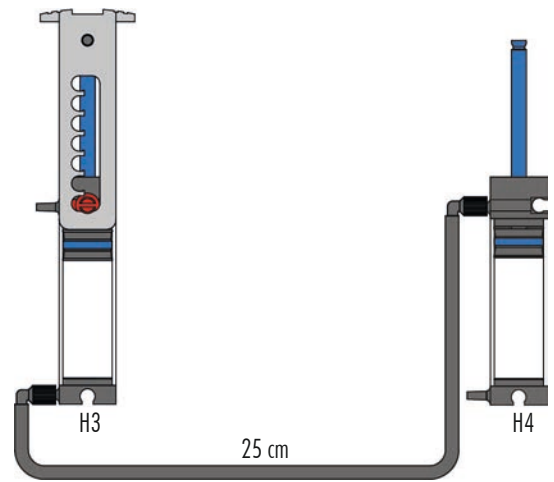
Zylinder mit Wasser befüllen: siehe didaktisches Begleitmaterial
 Fill cylinder with water: see instructional materials
 Remplir le cylindre d'eau : voir matériel d'accompagnement didactique
 Cilinder vullen met water: zie didactisch materiaal
 Llenar cilindro con agua: véase material didáctico adjunto
 Encher cilindro com água: ver o material didático de apoio
 Riempire il cilindro con acqua: vedere il materiale didattico allegato
 Наполнение цилиндра водой: см. сопроводительный
 дидактический материал
 为汽缸加水：参见教学材料

www.fischertechnik-elearning.com

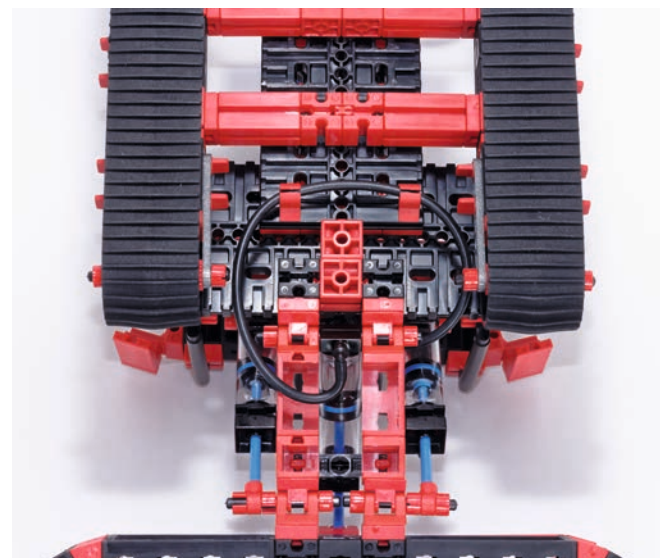
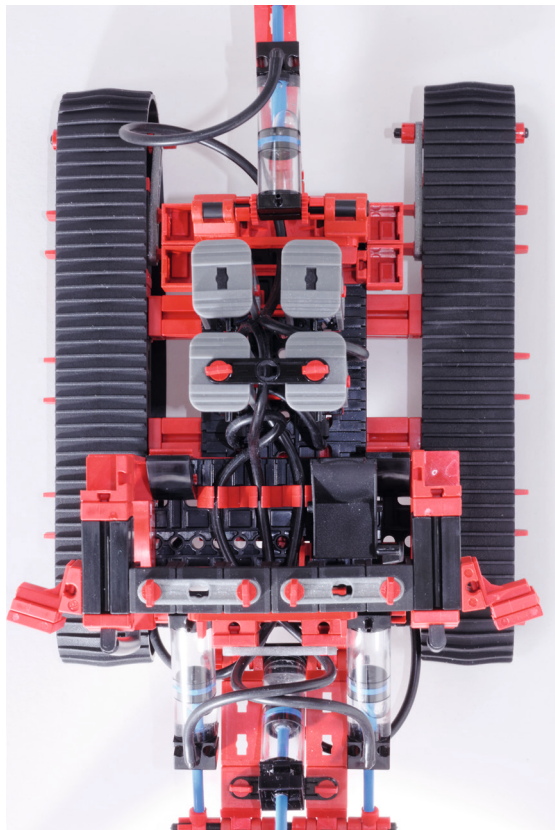
Schlauchanschlussplan
Air line layout plan
Plan de raccordement de conduits



Aansluitschema van slang
Racor de empalme
Plano de conexão de mangueira

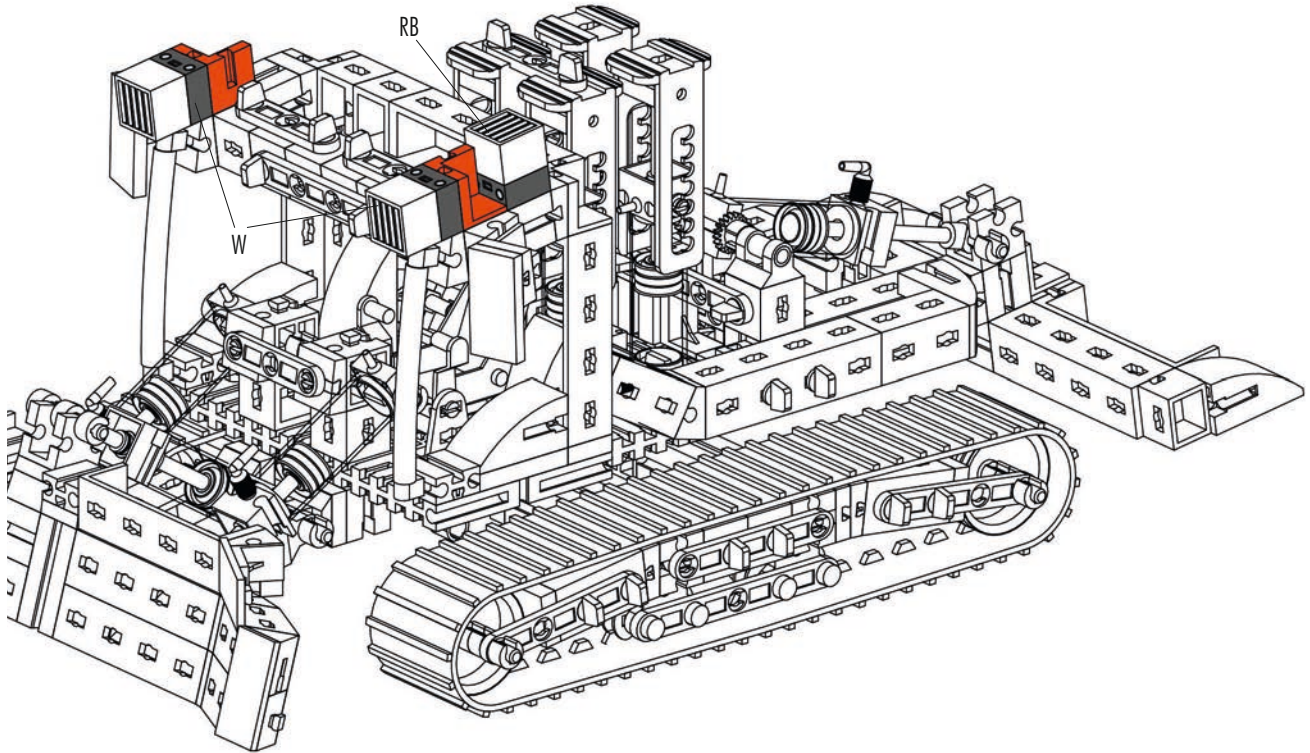


Schema di allacciamento tubi
Схема подключения шлангов
软管连接图



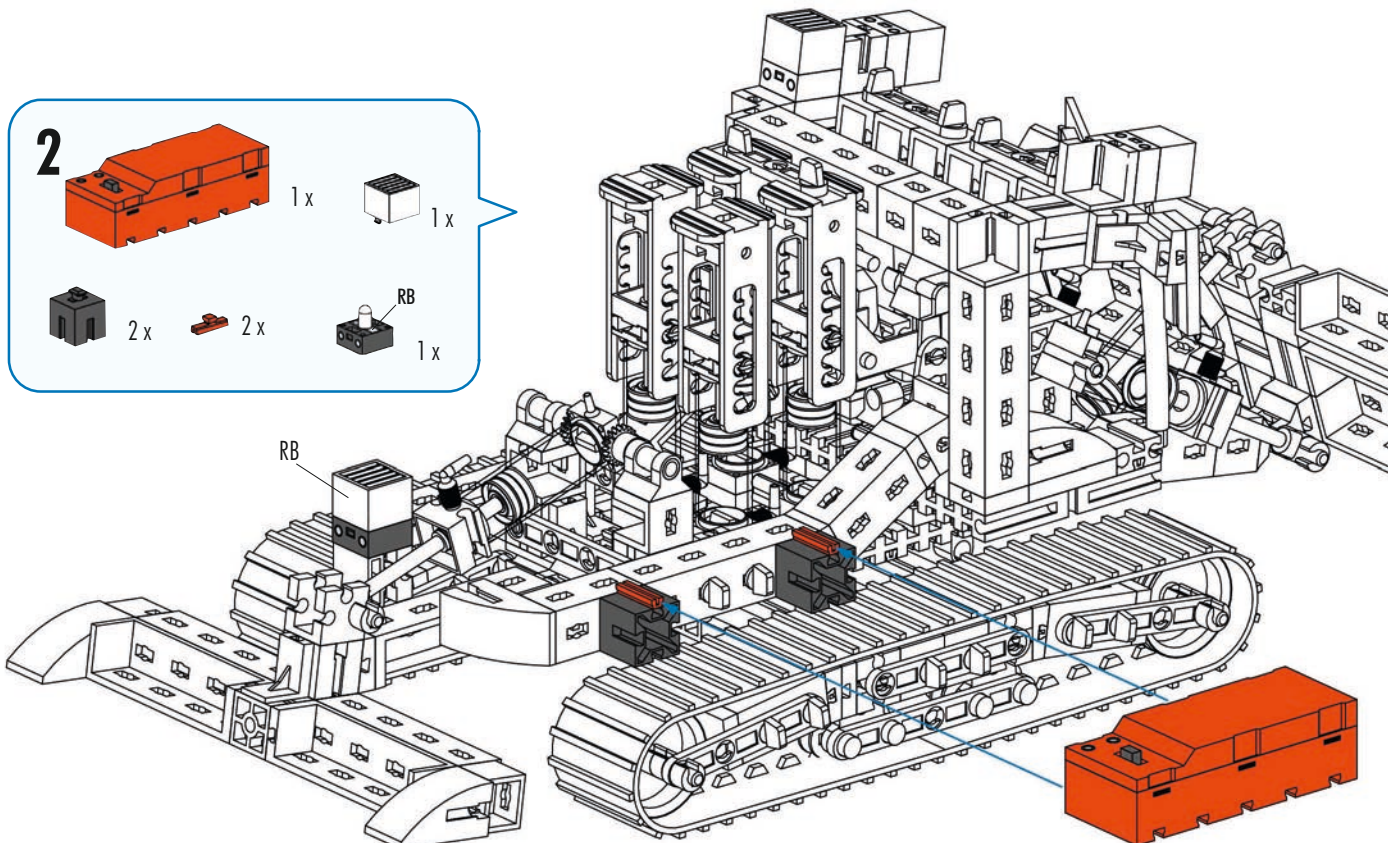
1

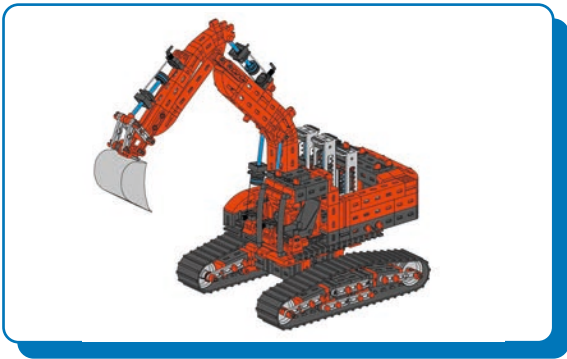
2x W 2x RB 3x



2

1x 1x 2x 2x RB 1x

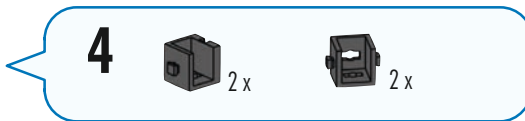
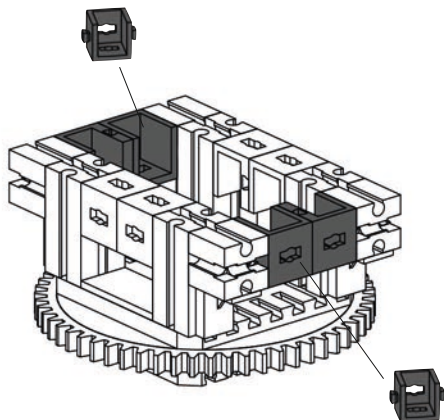
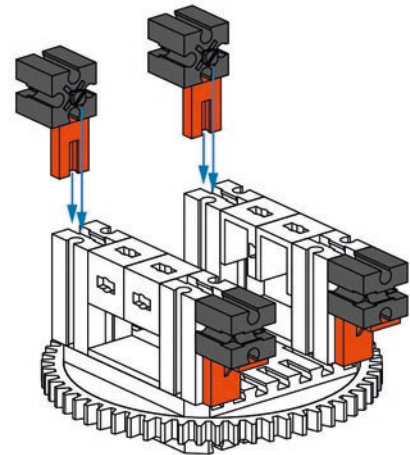
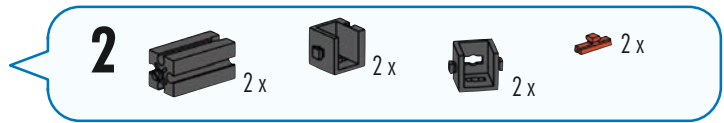
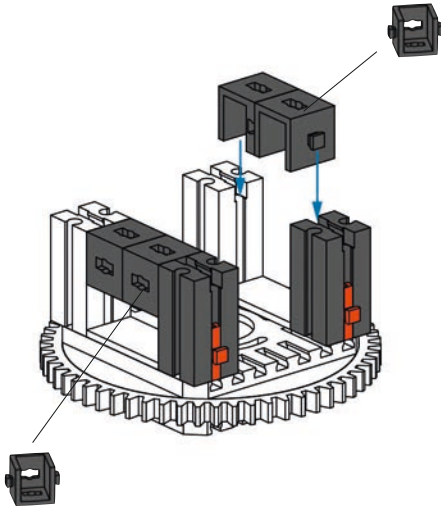
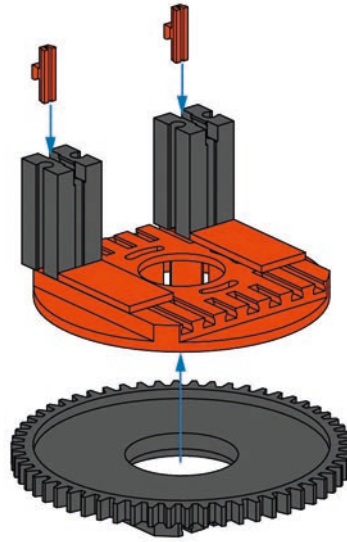
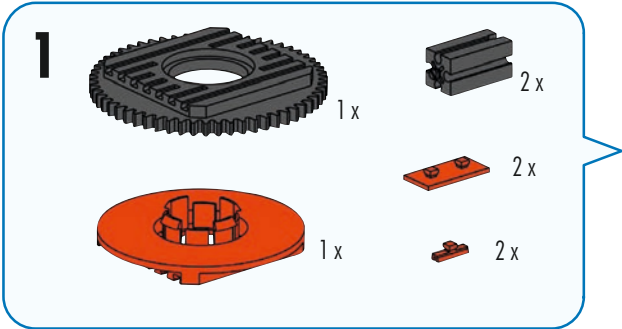




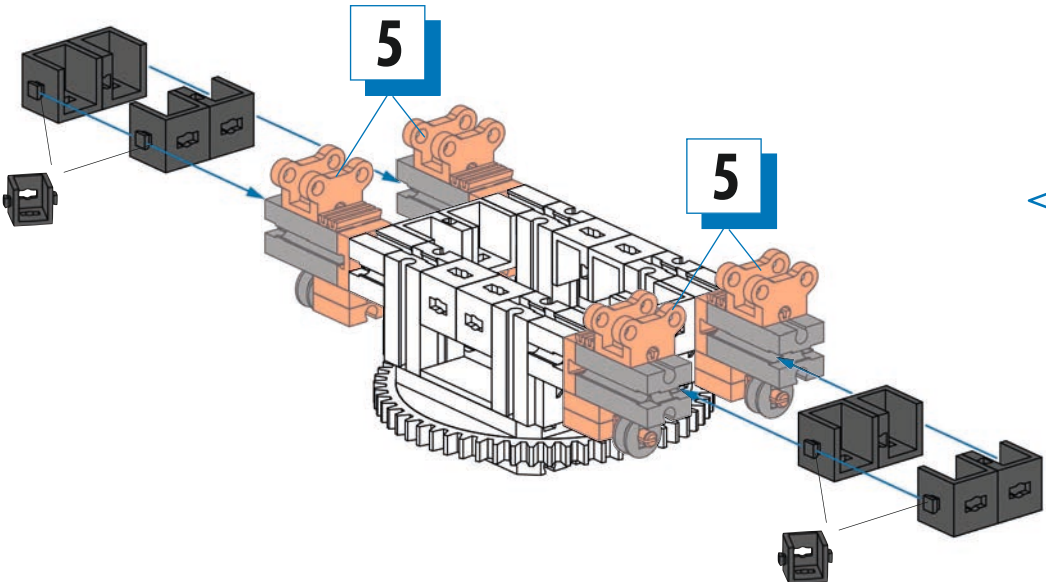
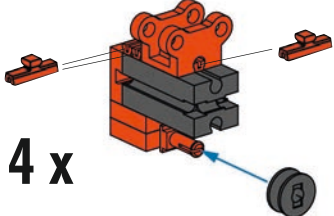
Raupenbagger
Excavator
Pelle sur chenilles

Rupsgraafmachine
Excavadora de oruga
Escavadora de lagartas

Escavatore cingolatoarea
Экскаватор на
гусеничном ходу
履带式挖掘机

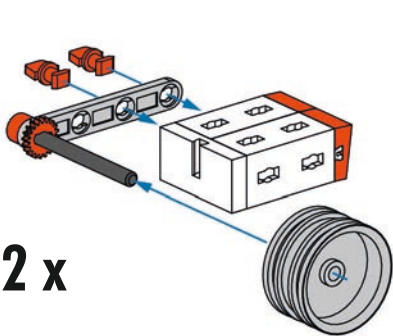
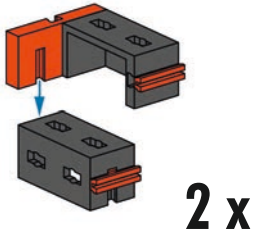


- 5** 4 x 4 x 1 black Technic beam, 4 x orange Technic axle connector, 8 x orange Technic axle, 12 x orange Technic pin, 4 x orange Technic axle with pin, 4 x grey Technic bush

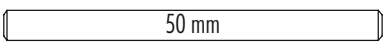


- 6** 4 x grey Technic axle connector, 4 x grey Technic axle connector

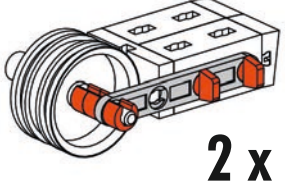
- 7** 4 x grey Technic axle connector, 2 x orange Technic axle, 4 x orange Technic pin





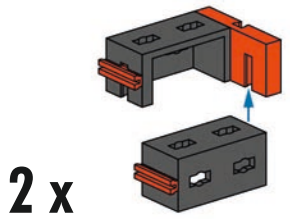
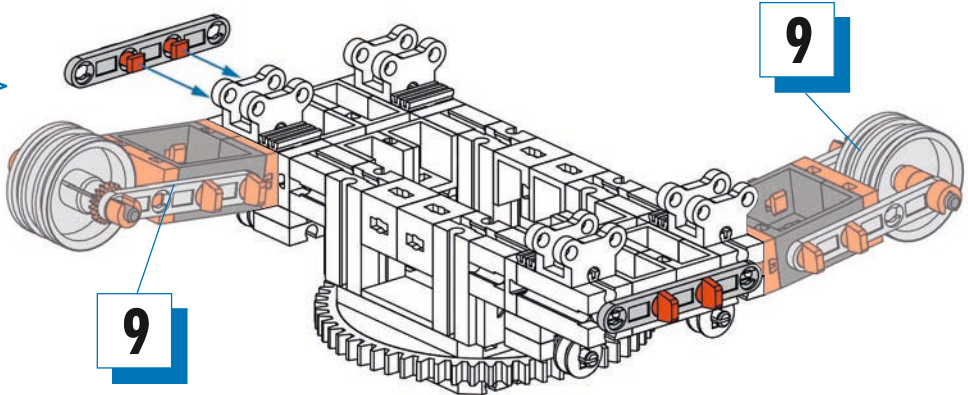
- 8** 4 x orange Technic pin, 2 x grey Technic bush, 2 x orange Technic axle, 2 x grey Technic axle, 2 x grey Technic axle, 2 x grey Technic bush, 7.5° grey Technic bush, 4 x orange Technic pin

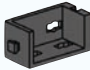









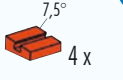
- 9** 2 x grey Technic axle, 4 x orange Technic pin, 6 x orange Technic pin

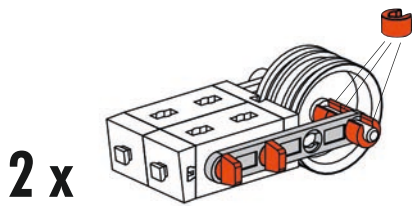
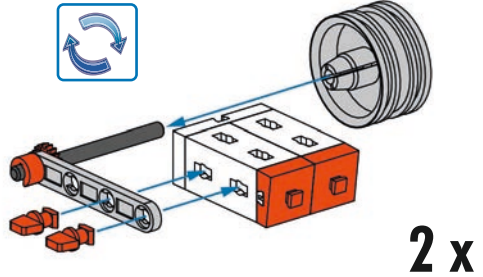





- 10**  2 x  4 x

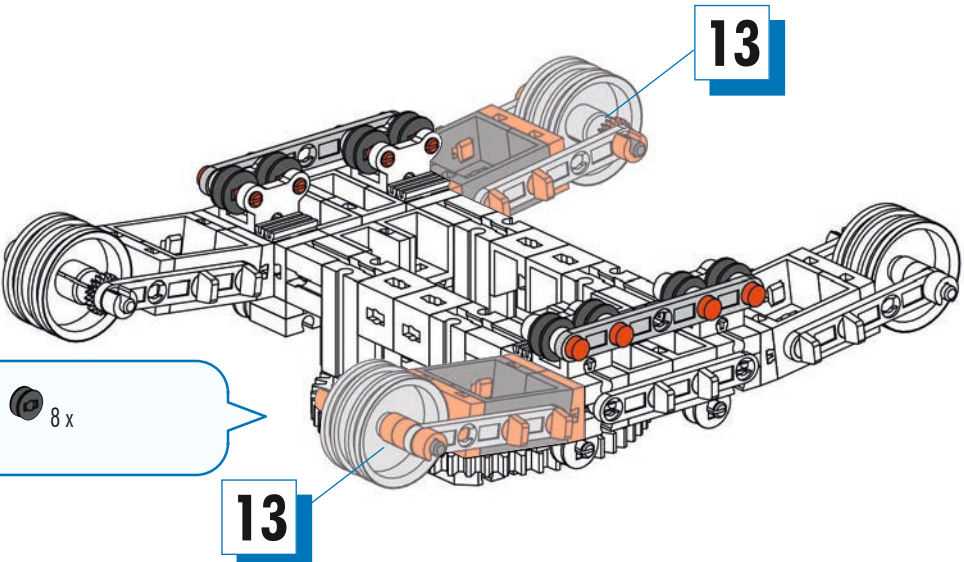


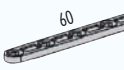


- 11**  4 x  2 x  4 x

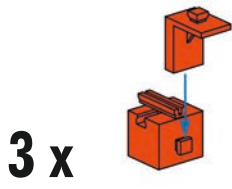
- 12**  4 x  2 x  2 x  2 x  2 x  4 x
- 50 mm



- 13**  2 x  4 x  6 x



- 14**  2 x  8 x  8 x

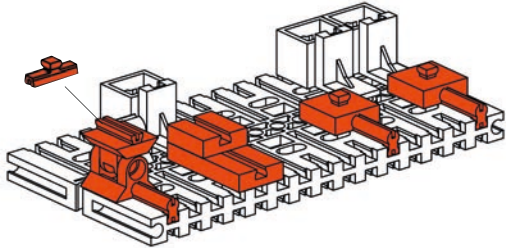
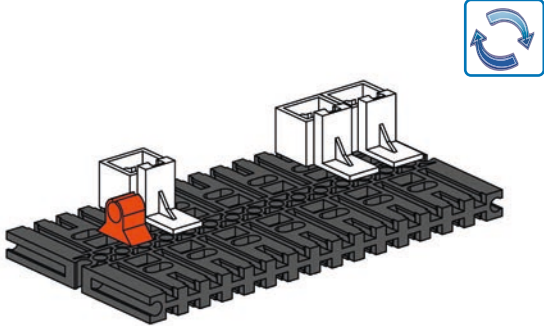


15

- 3x [Orange 1x3 Technic Connector]
- 3x [Orange Technic Pin]
- 3x [Orange Technic Pin]

16

- 1x [Long Grey Technic Beam]
- 1x [Orange Technic Pin]

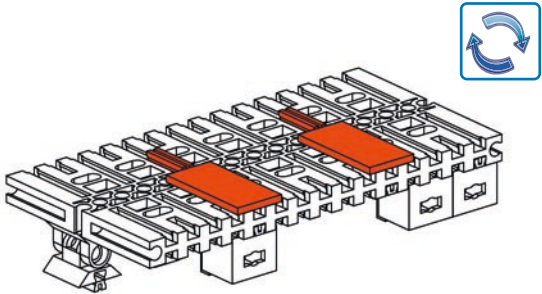


17

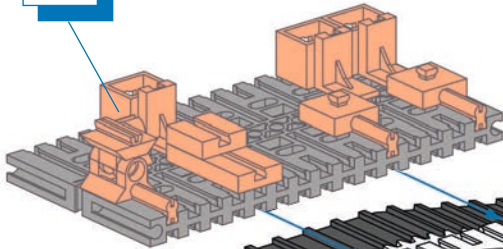
- 1x [Orange Technic Pin]
- 1x [Orange Technic Pin]
- 15 [Orange Technic Pin]
- 3x [Orange Technic Pin]
- 1x [Orange Technic Pin]
- 2x [Orange Technic Pin]
- 1x [Orange Technic Pin]

18

- 2x [Orange Technic Pin]
- 2x [Orange Technic Pin]

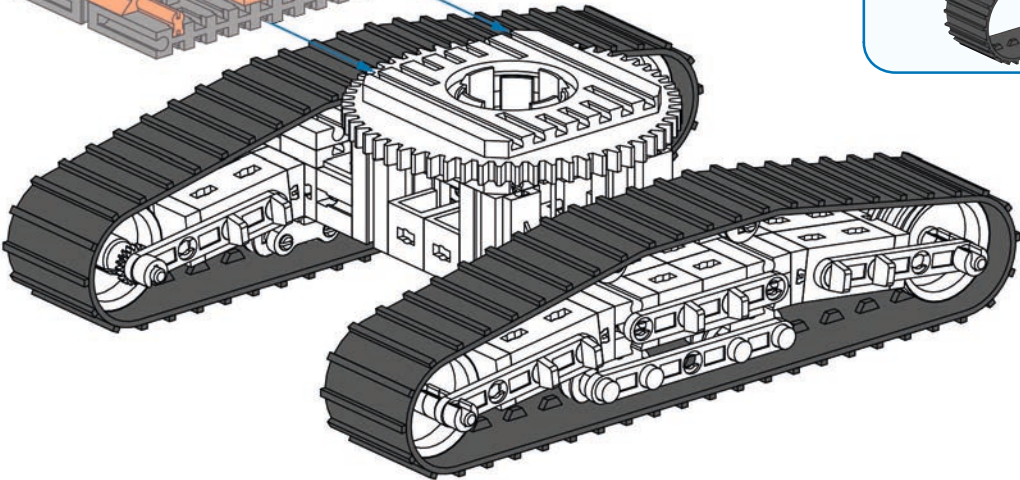


18

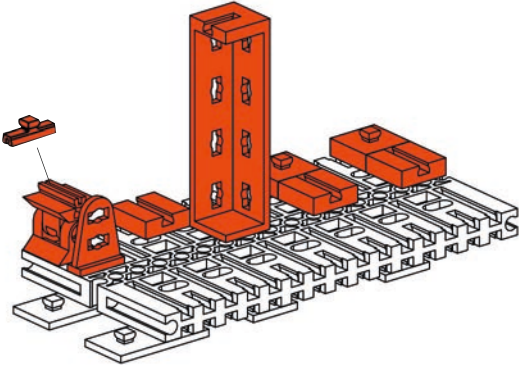
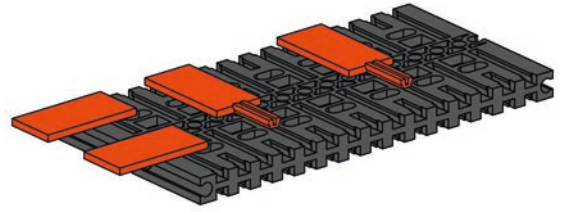
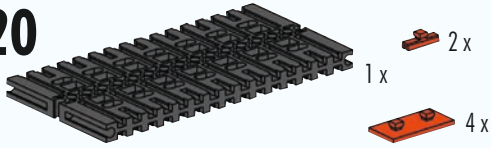


19

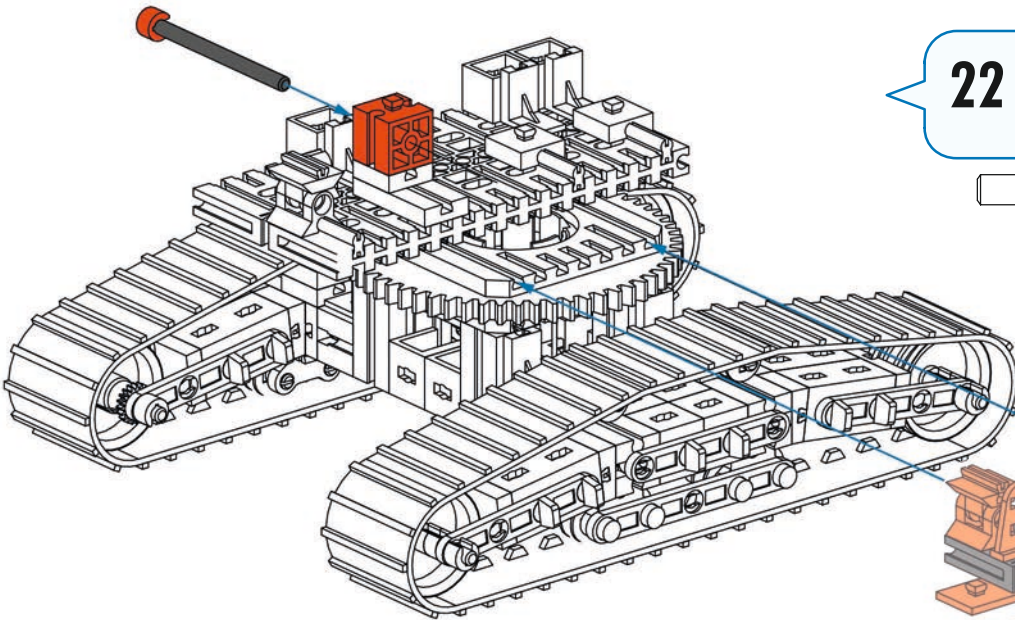
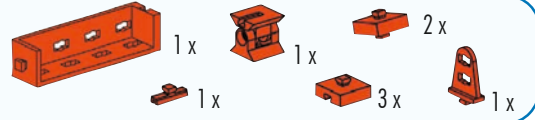
- 2x [Black Rubber Track]



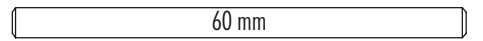
20



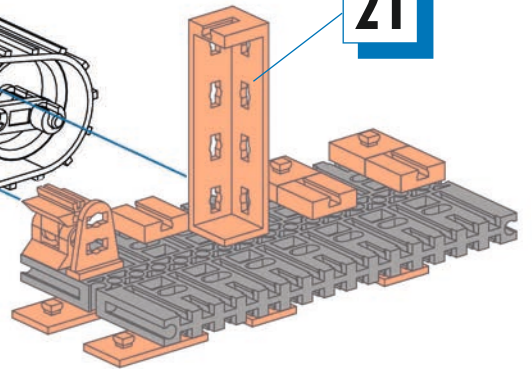
21



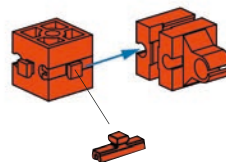
22

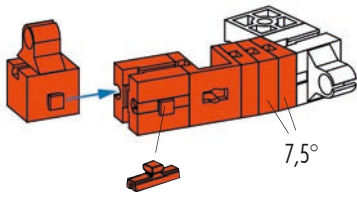


21



23



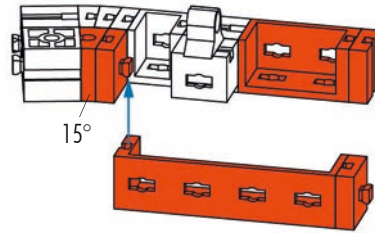


- 24**
- 1 x [Orange 1x3 Technic Brick with Hole]
 - 1 x [Orange 1x2 Technic Brick with Hole]
 - 1 x [Orange 1x3 Technic Brick with Hole]
 - 2 x [Orange 1x2 Technic Brick with Hole]
 - 1 x [Orange 1x2 Technic Brick with Hole]
 - 1 x [Orange 1x3 Technic Brick with Hole]
 - 1 x [Orange 1x2 Technic Brick with Hole]



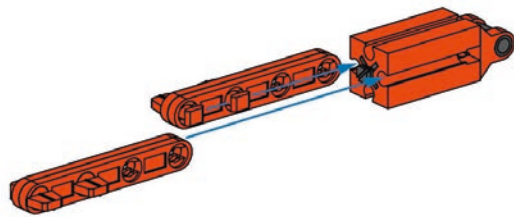
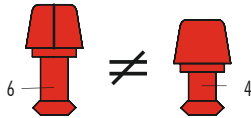
25

- 1 x [Orange 1x6 Technic Brick with Hole]
- 1 x [Orange 1x3 Technic Brick with Hole]
- 1 x [Orange 1x2 Technic Brick with Hole]
- 3 x [Orange 1x2 Technic Brick with Hole]



26

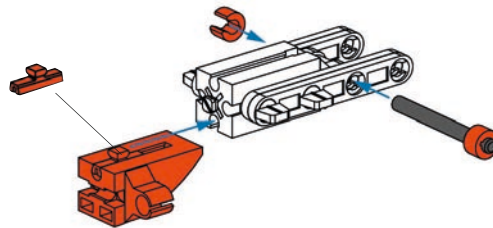
- 1 x [Orange 1x3 Technic Brick with Hole]
- 1 x [Orange 1x2 Technic Brick with Hole]
- 4 x [Orange 1x45 Technic Beam]
- 4 x [Orange 1x6 Technic Pin]



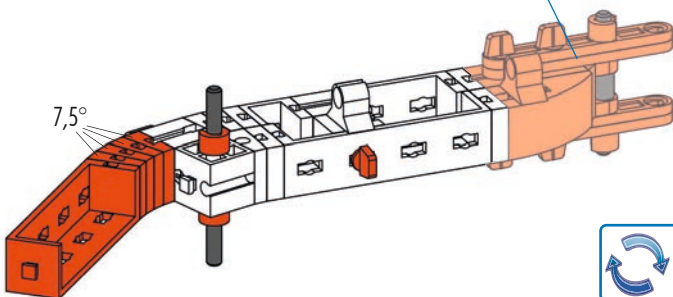
27

- 1 x [Orange 1x2 Technic Brick with Hole]
- 1 x [Orange 1x2 Technic Brick with Hole]
- 1 x [Orange 1x2 Technic Brick with Hole]
- 1 x [Grey 40mm Technic Pin]
- 2 x [Orange 1x2 Technic Pin]

40 mm



27

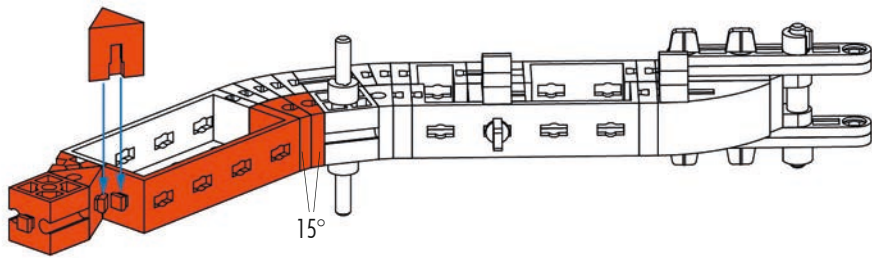


28

- 1 x [Orange 1x6 Technic Brick with Hole]
- 1 x [Orange 1x2 Technic Brick with Hole]
- 1 x [Orange 1x2 Technic Pin]
- 2 x [Orange 1x2 Technic Pin]
- 4 x [Orange 1x2 Technic Brick with Hole]
- 1 x [Grey 50mm Technic Pin]

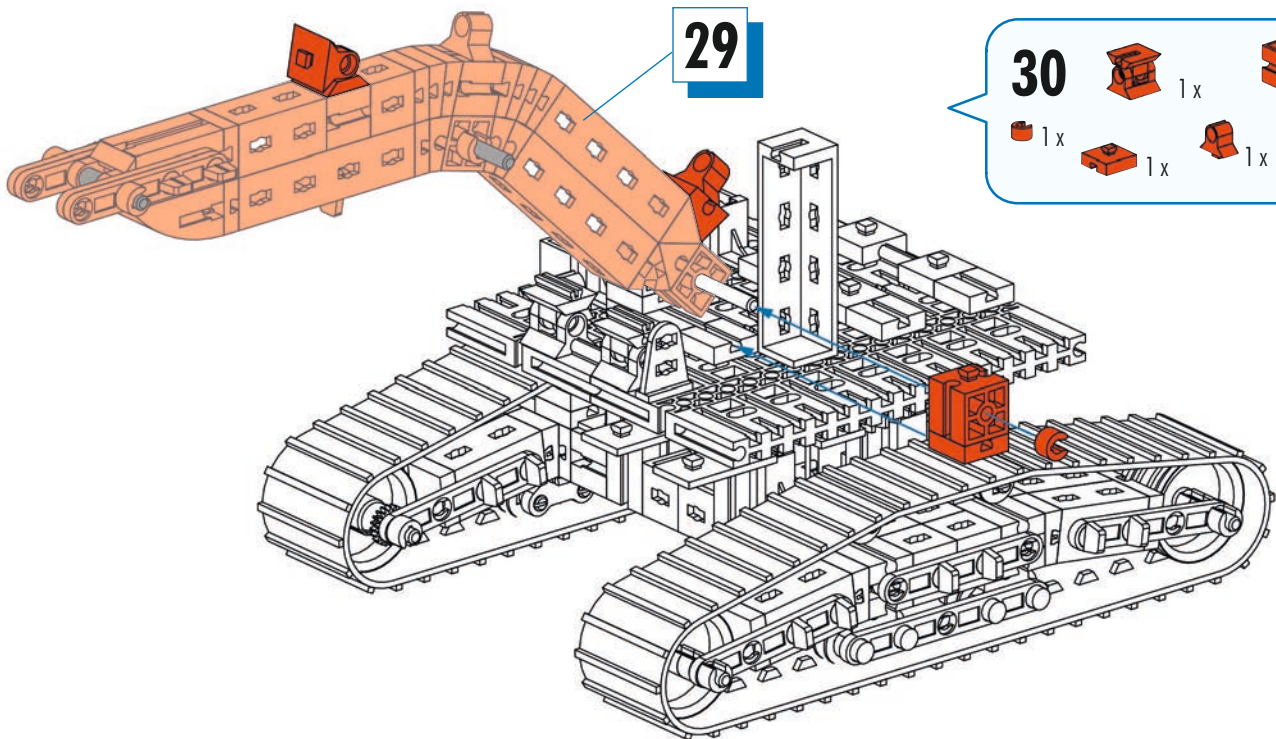
50 mm





29

- 1x Red 1x5 Technic Beam
- 1x Red 1x2 Technic Beam
- 2x Red 1x2 Technic Beam
- 1x Red 60-degree Technic Connector
- 1x Red 15-degree Technic Connector
- 2x Red 15-degree Technic Connector



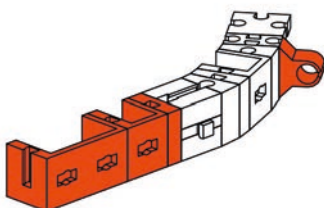
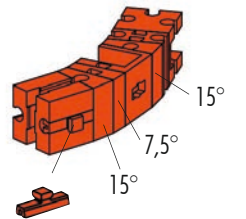
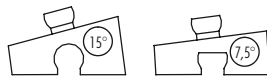
30

- 1x Red 1x2 Technic Beam
- 1x Red 1x2 Technic Beam
- 1x Red 1x2 Technic Beam
- 1x Red 1x2 Technic Beam
- 1x Red 30-degree Technic Connector



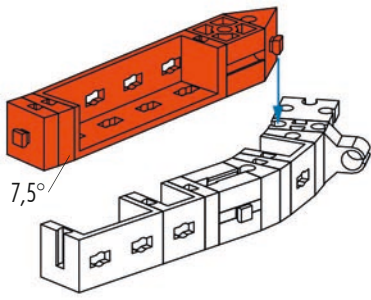
31

- 1x Red 1x2 Technic Beam
- 1x Red 1x2 Technic Beam
- 1x Red 1x2 Technic Beam
- 1x Red 1x2 Technic Beam
- 2x Red 15-degree Technic Connector
- 1x Red 7.5-degree Technic Connector
- 1x Red 1x2 Technic Beam



32

- 1x Red 1x5 Technic Beam
- 1x Red 1x2 Technic Beam
- 1x Red 1x2 Technic Beam
- 1x Red 1x2 Technic Beam

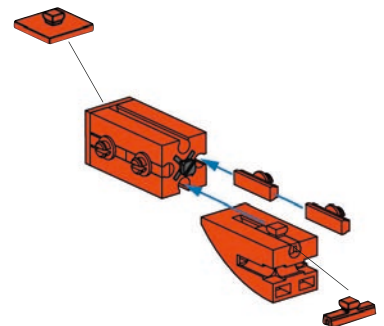


33

- 1x Orange Technic Beam (1x5)
- 1x Orange Technic Connector (1x2)
- 1x Orange Technic Connector (1x2)
- 1x Orange Technic Connector (60°)
- 1x Orange Technic Connector (7.5°)
- 1x Orange Technic Connector (7.5°)

34

- 1x Orange Technic Beam (1x5)
- 1x Orange Technic Connector (1x2)
- 1x Orange Technic Connector (1x2)
- 4x Orange Technic Connector (1x2)
- 1x Orange Technic Connector (1x2)



34

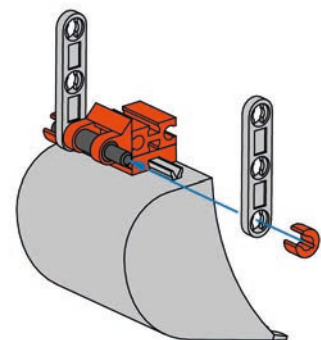
35

- 1x Orange Technic Connector (1x2)
- 2x Orange Technic Beam (1x45)

36

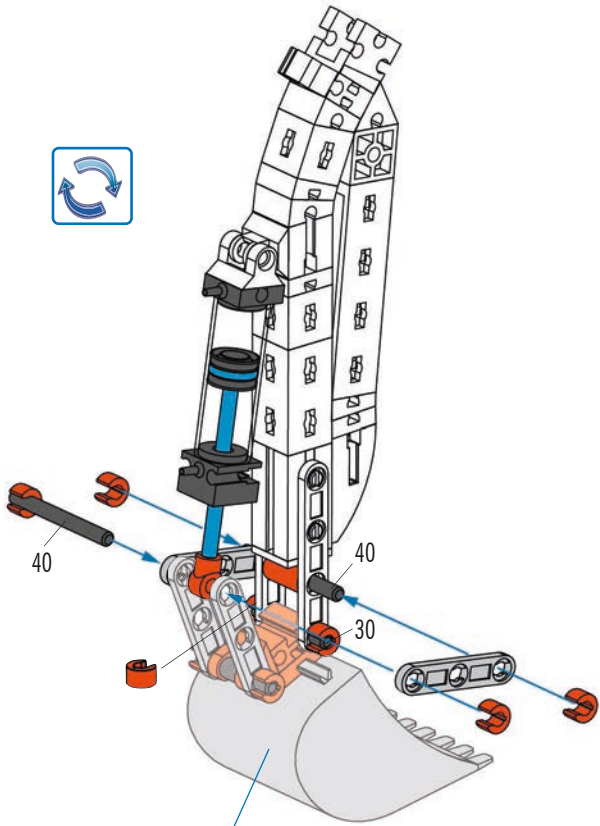
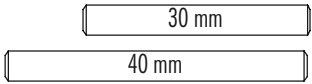
- 1x Grey Technic Bucket
- 2x Orange Technic Connector (1x2)
- 1x Orange Technic Connector (1x2)
- 2x Grey Technic Pin (30)
- 1x Grey Technic Pin (30)
- 1x Orange Technic Connector (1x2)

30 mm

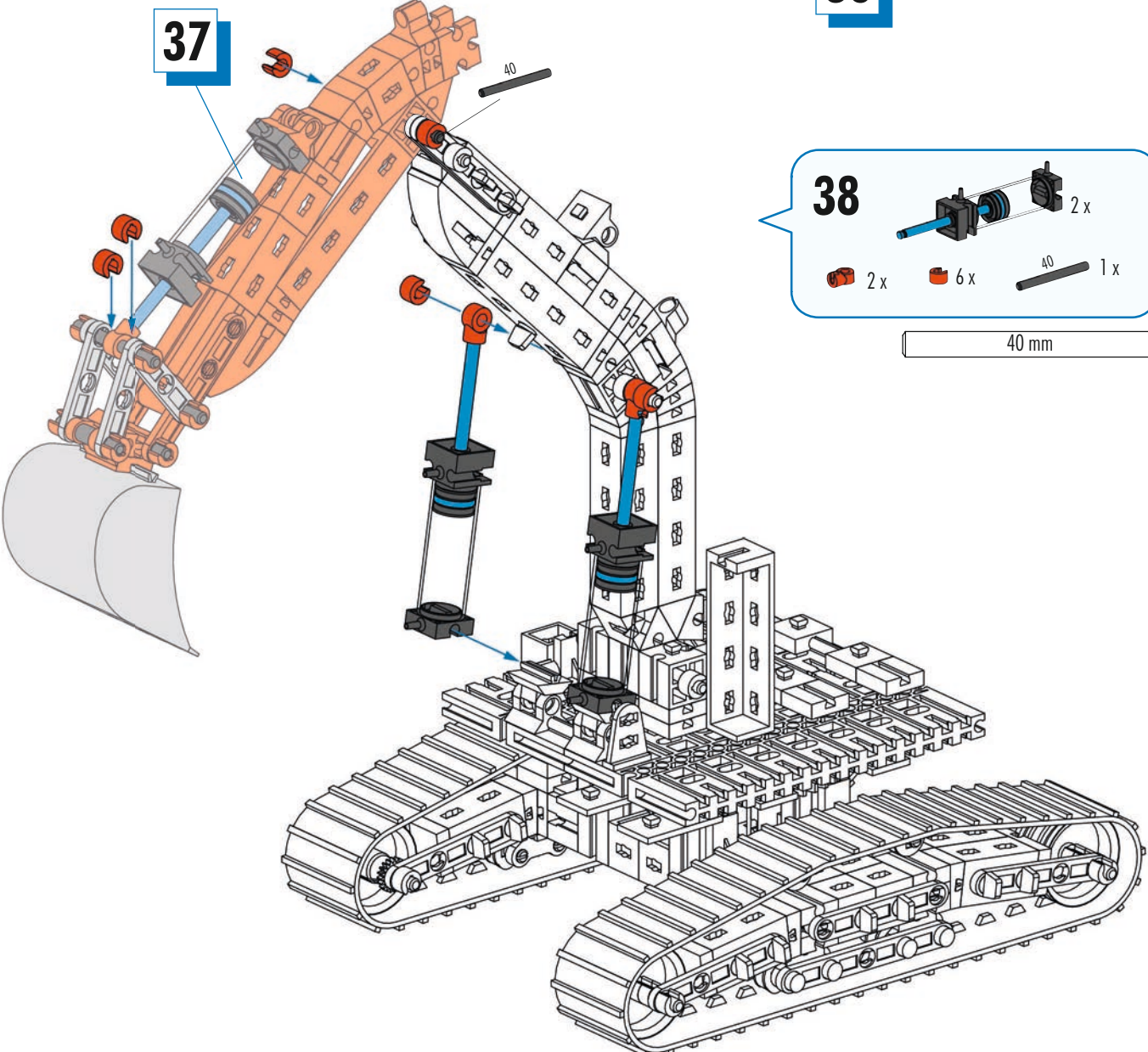


37

- 1 x [Grey Technic Pin]
- 1 x [Black Technic Pin]
- 1 x [Red Technic Pin]
- 2 x [Grey Technic Pin 30]
- 1 x [Red Technic Pin]
- 6 x [Red Technic Pin]
- 1 x [Grey Technic Pin 30]
- 2 x [Grey Technic Pin 40]



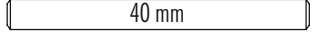
36

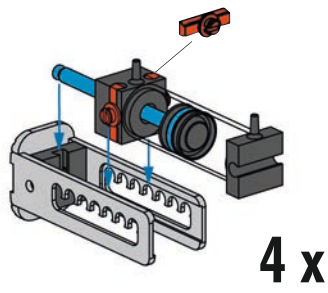


37

38

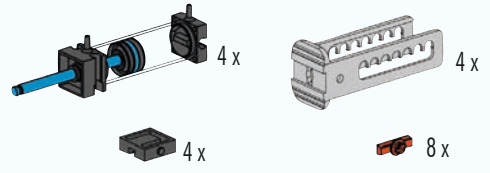
- 2 x [Grey Technic Pin]
- 2 x [Red Technic Pin]
- 6 x [Red Technic Pin]
- 1 x [Grey Technic Pin 40]





4 x

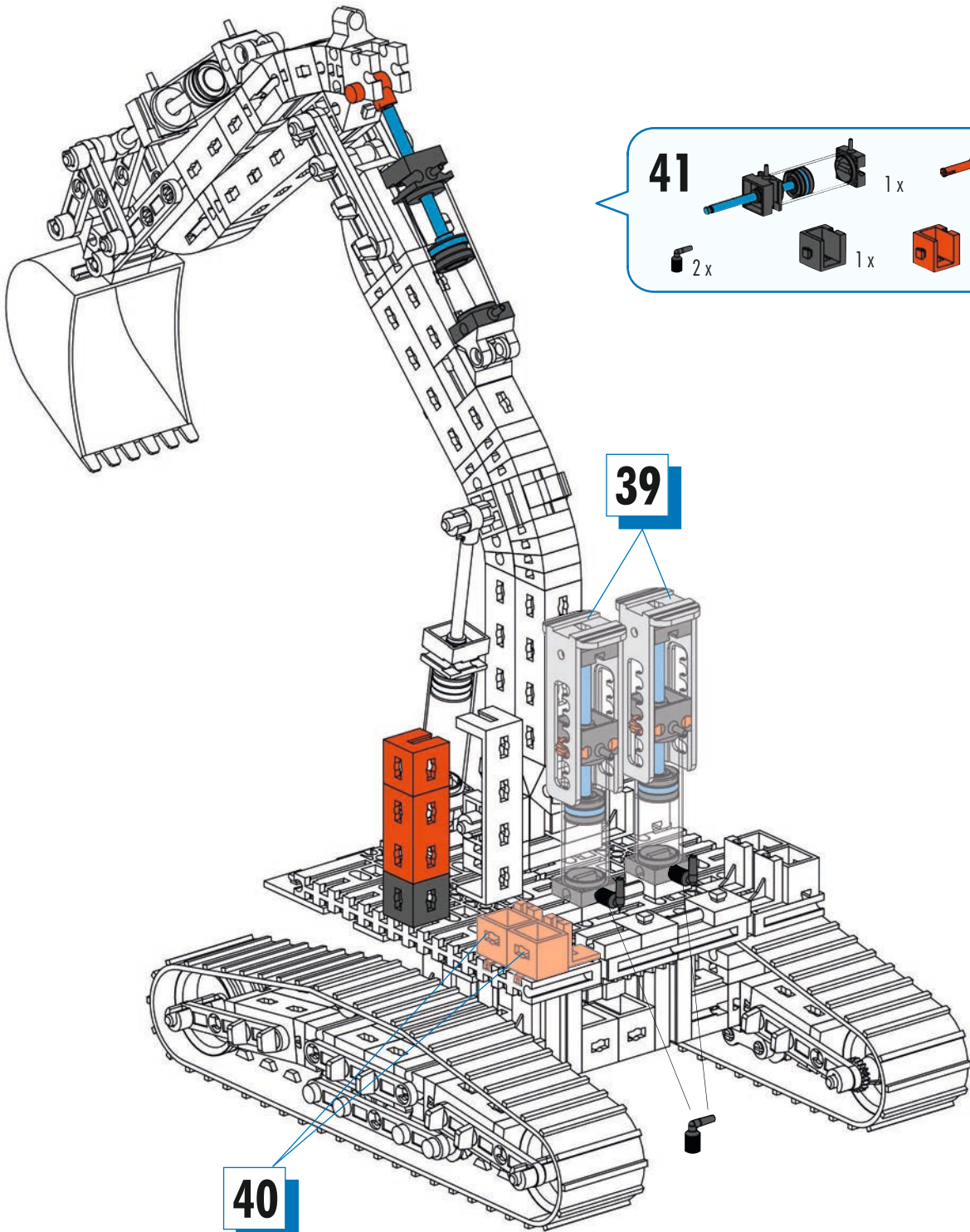
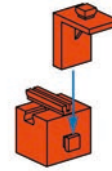
39



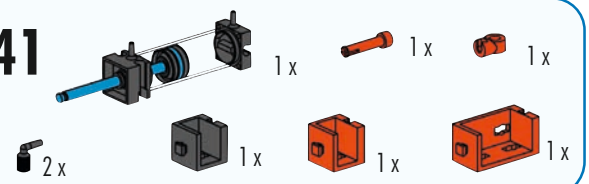
40



2 x







41

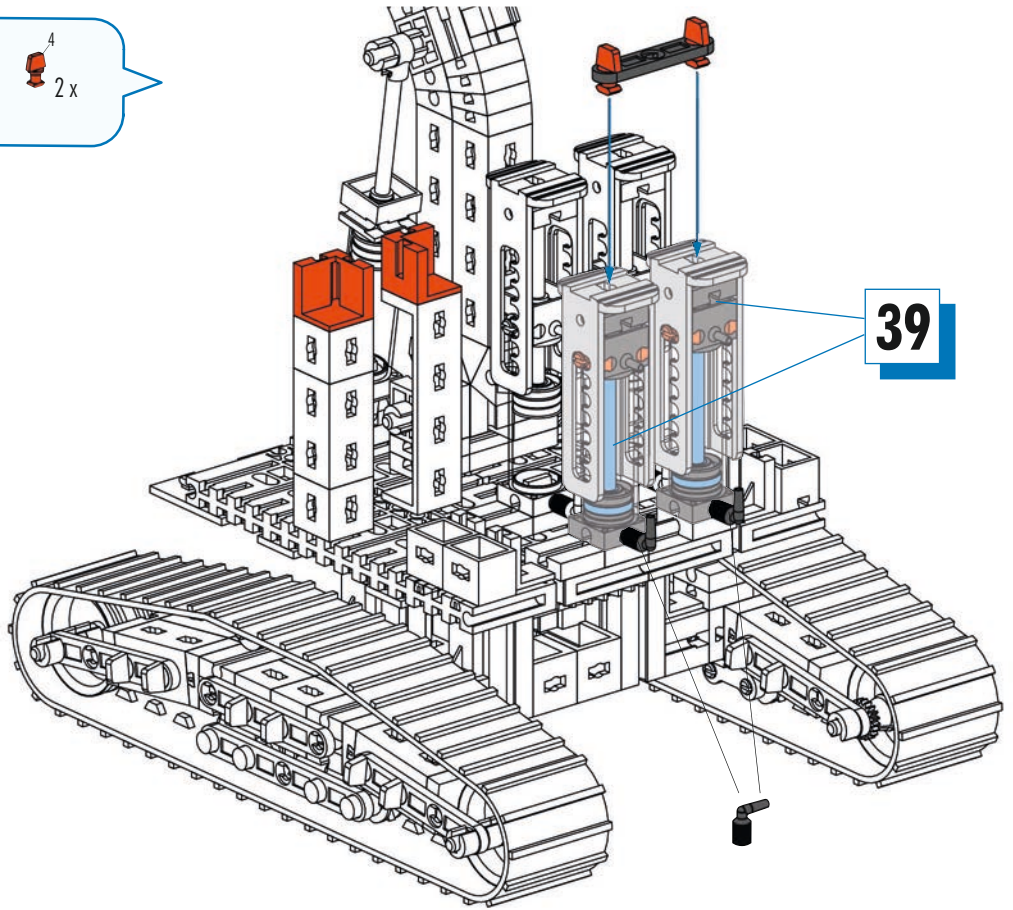


40

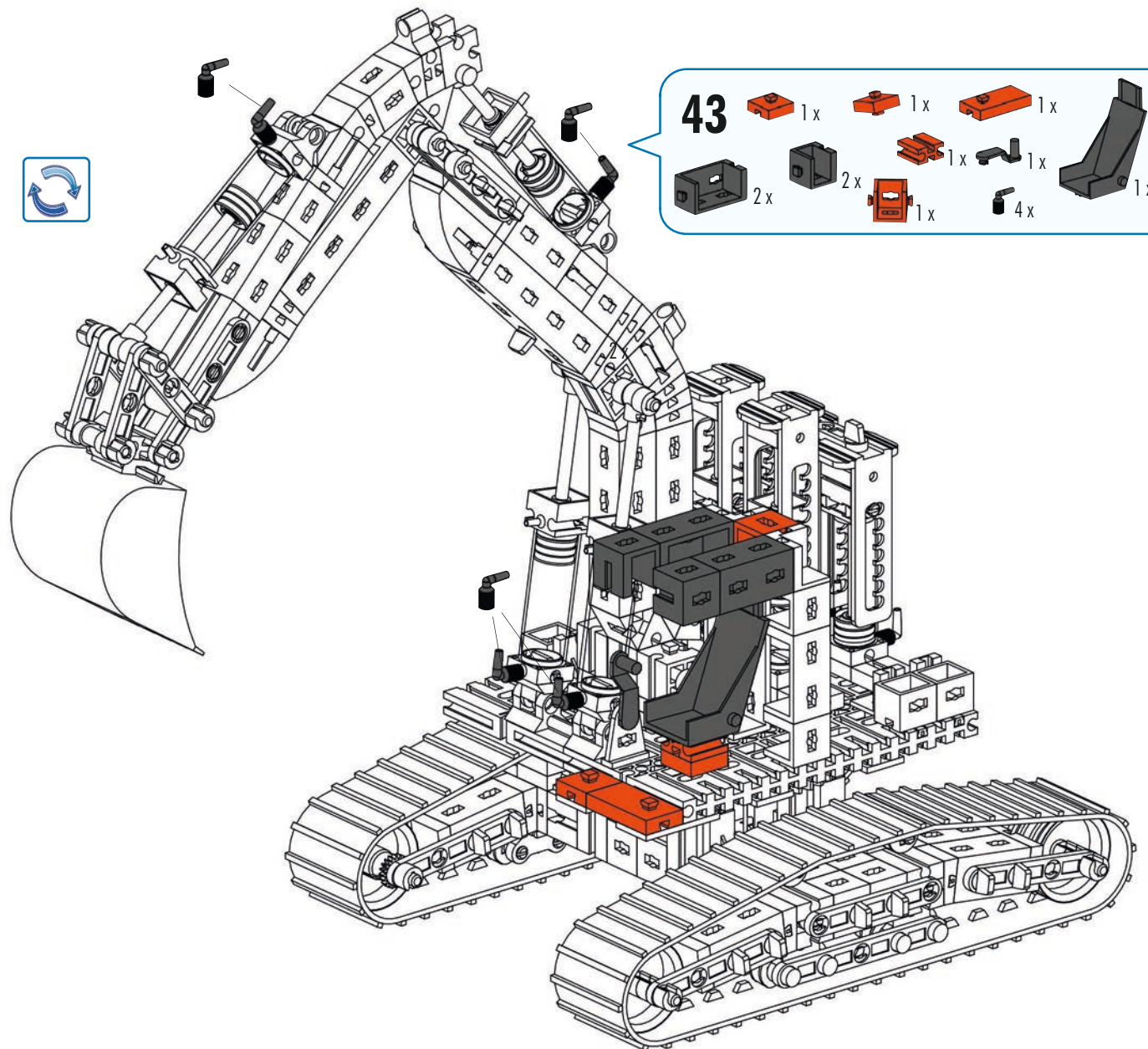
39

42










-  2x
-  1x
-  2x
-  2x

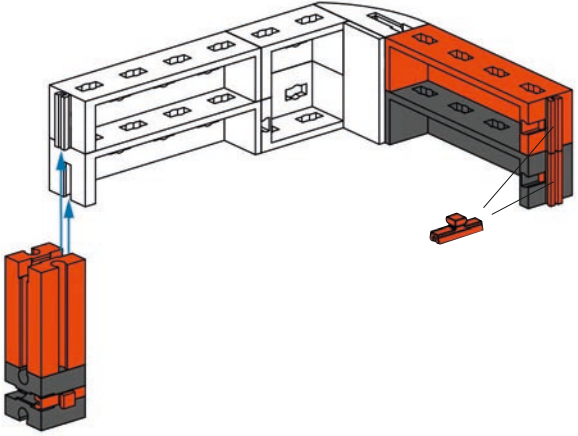
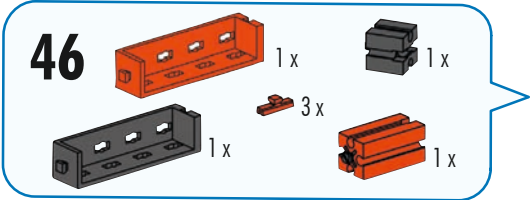
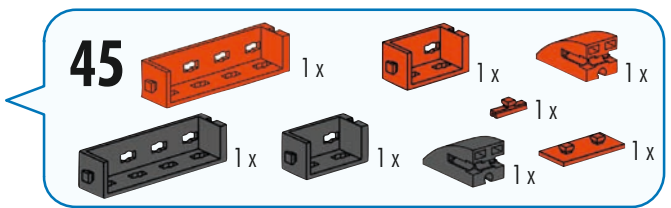
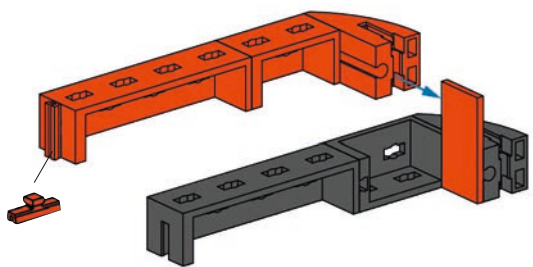
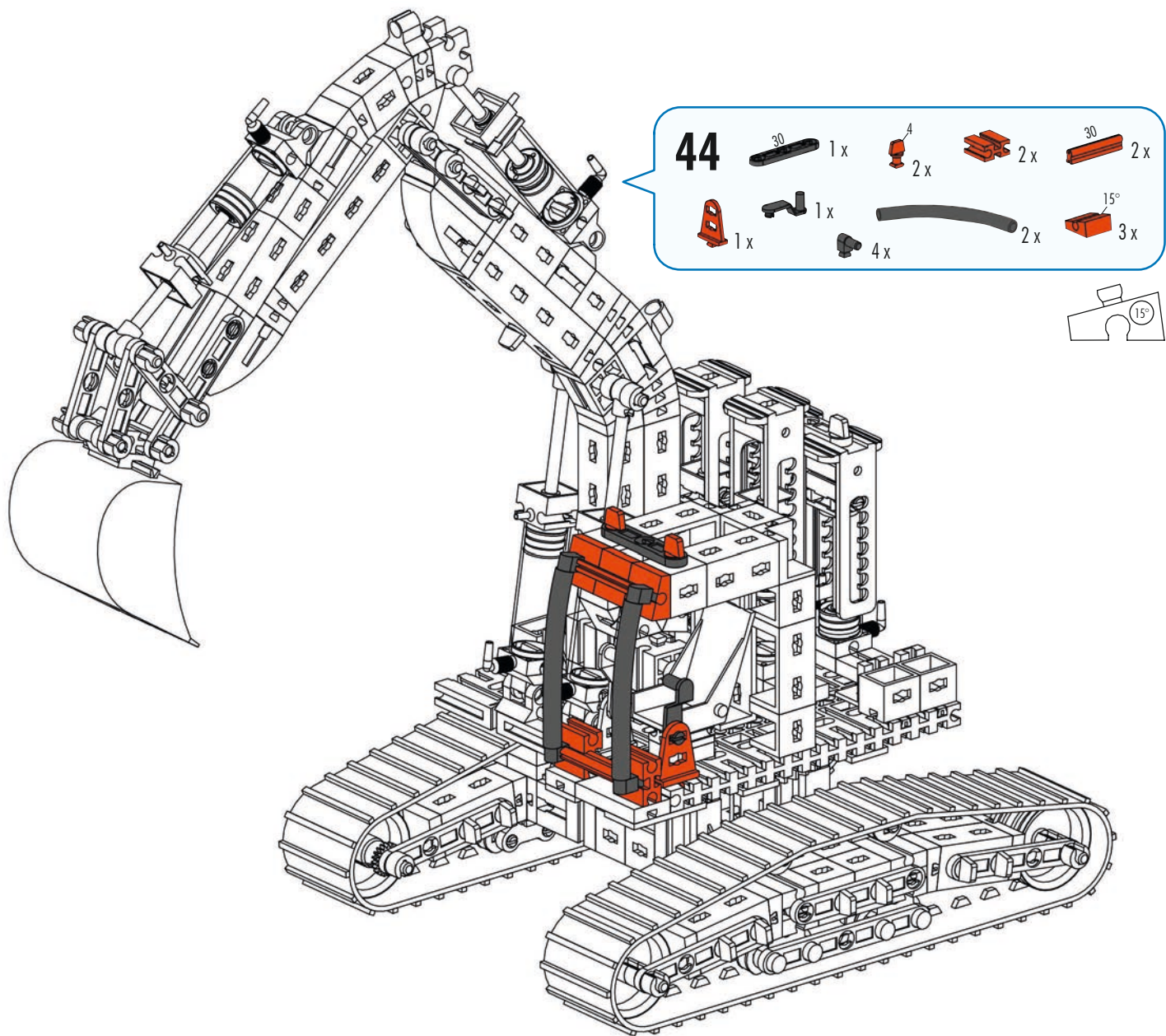


39

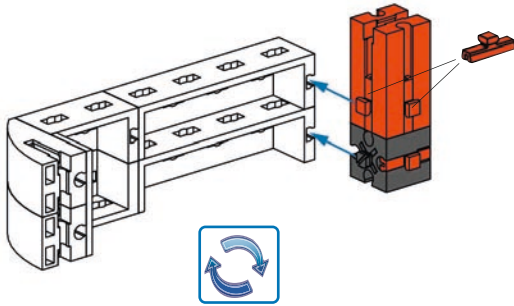
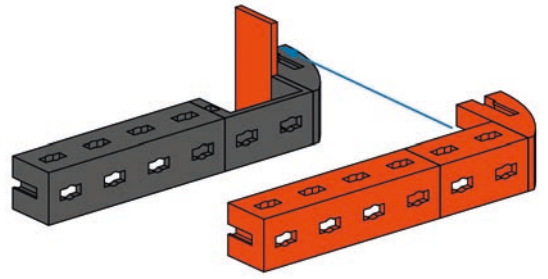
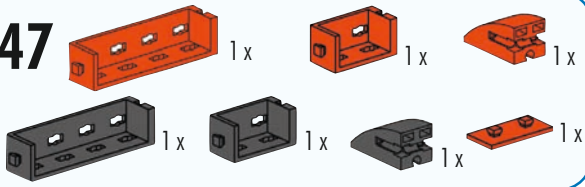


43

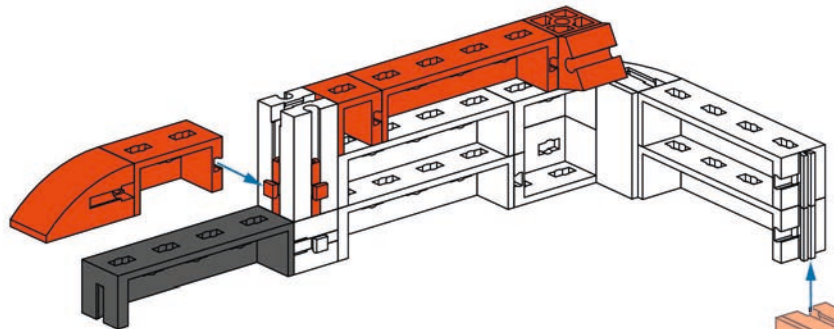
-  1x
-  1x
-  1x
-  2x
-  2x
-  1x
-  1x
-  4x
-  1x



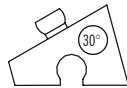
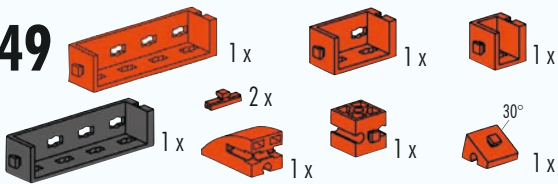
47



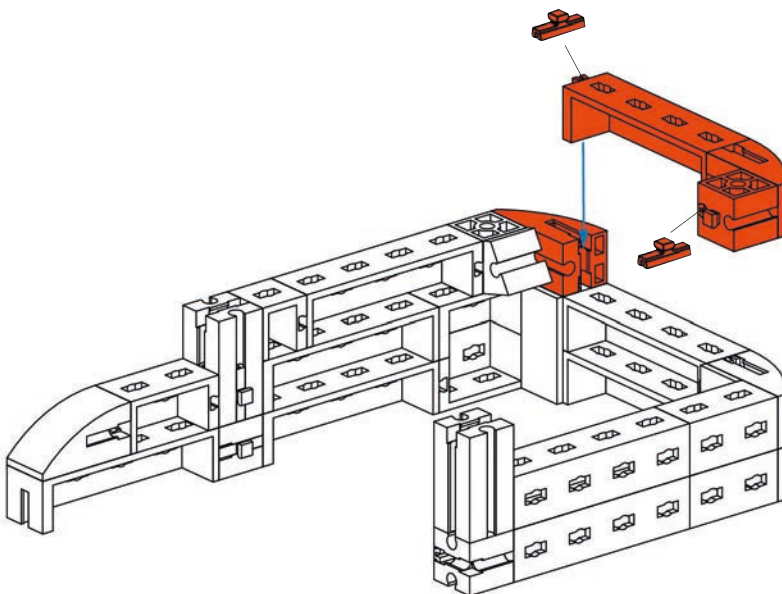
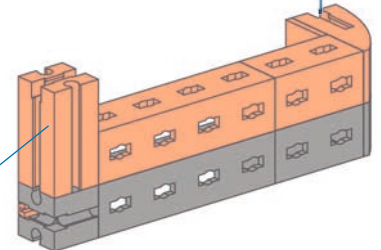
48



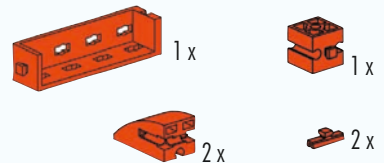
49

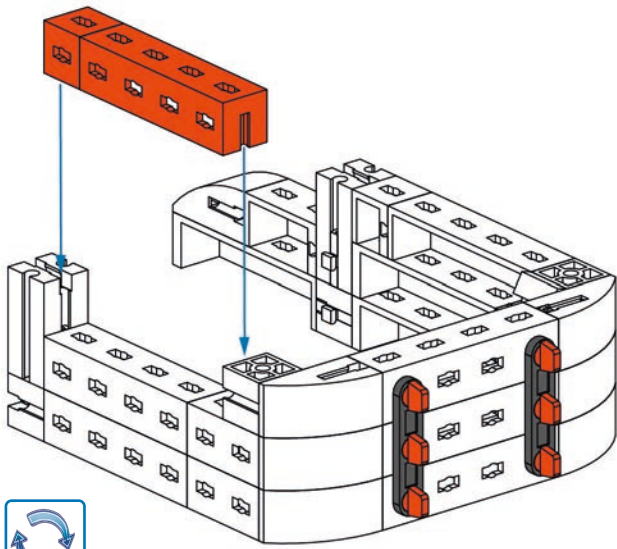


48



50



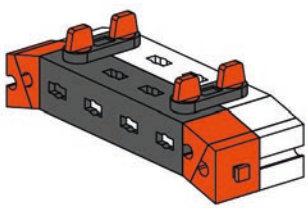
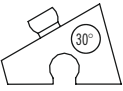
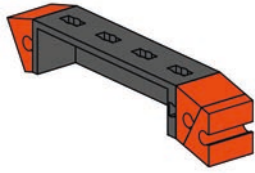


51

- 1 x
- 1 x
- 2 x
- 6 x

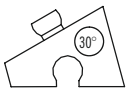
52

- 3 x
- 1 x



53

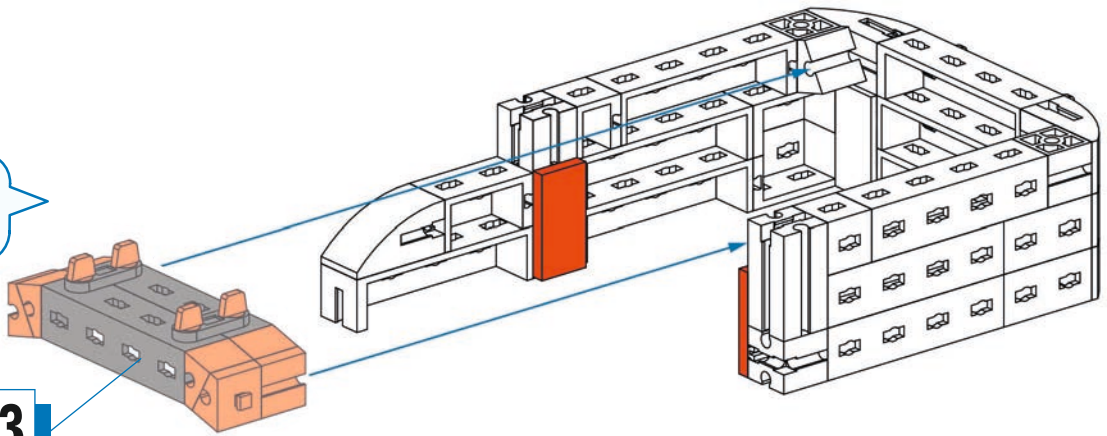
- 4 x
- 1 x
- 2 x
- 4 x

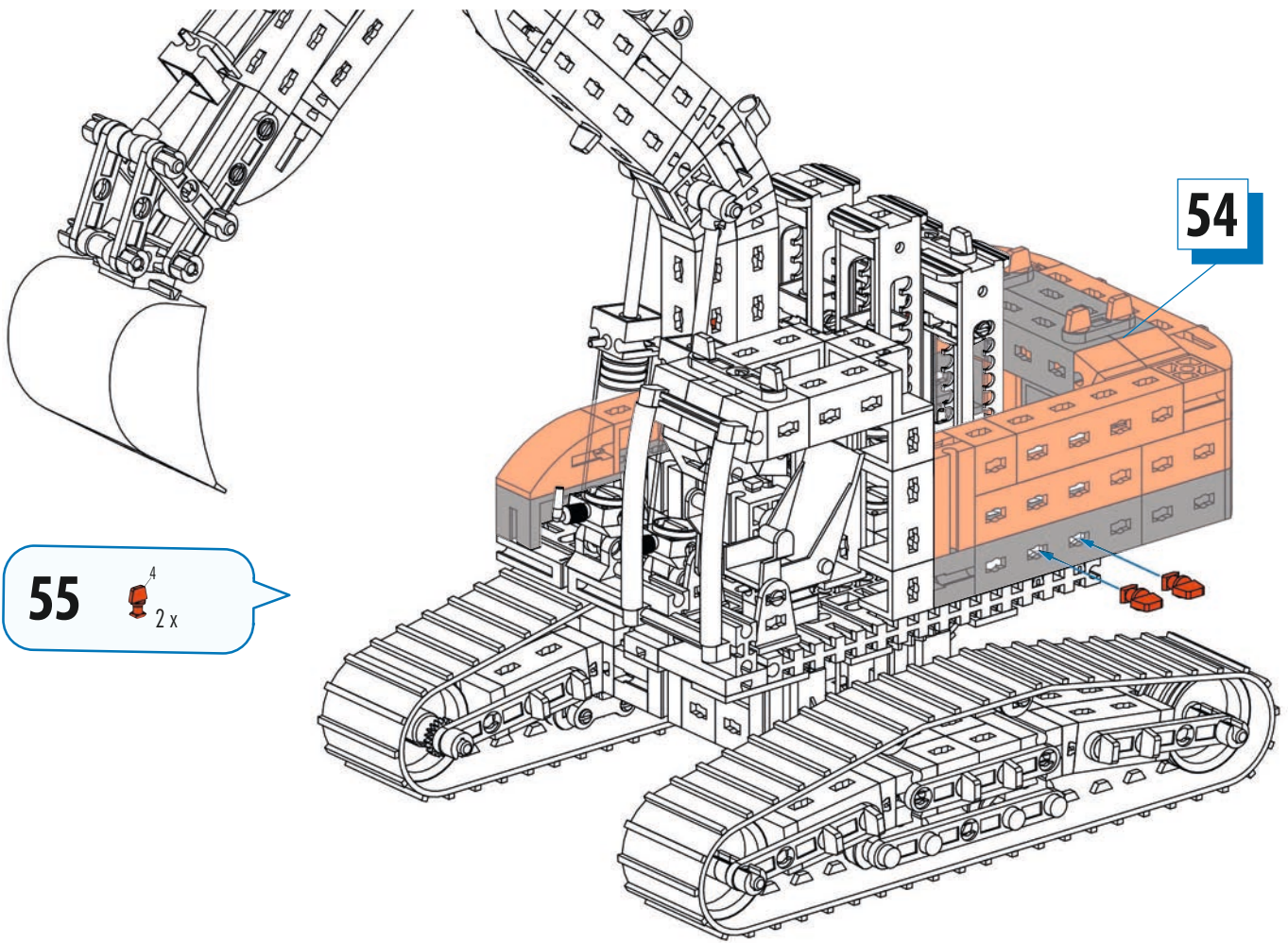


54

- 2 x

53



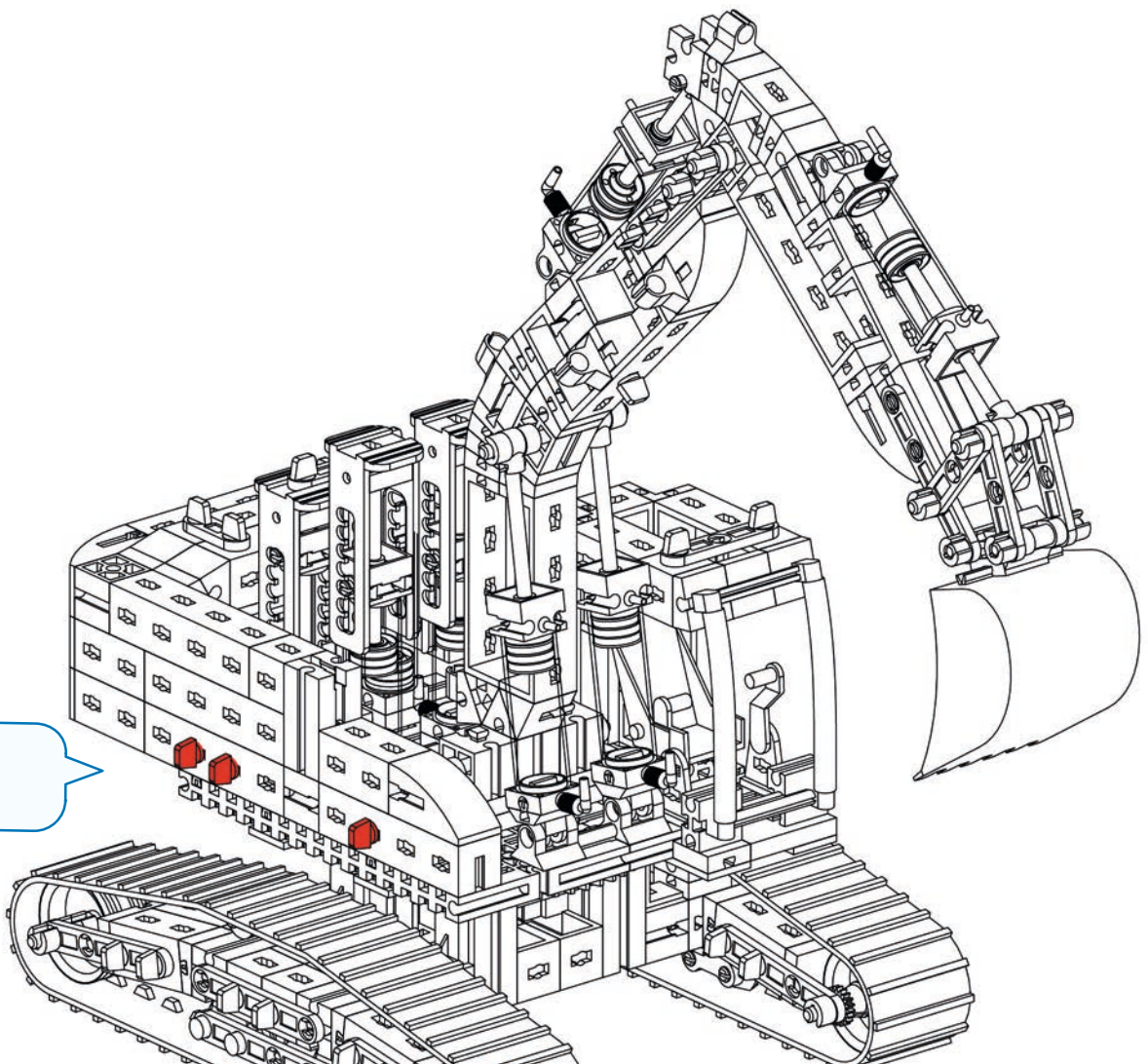


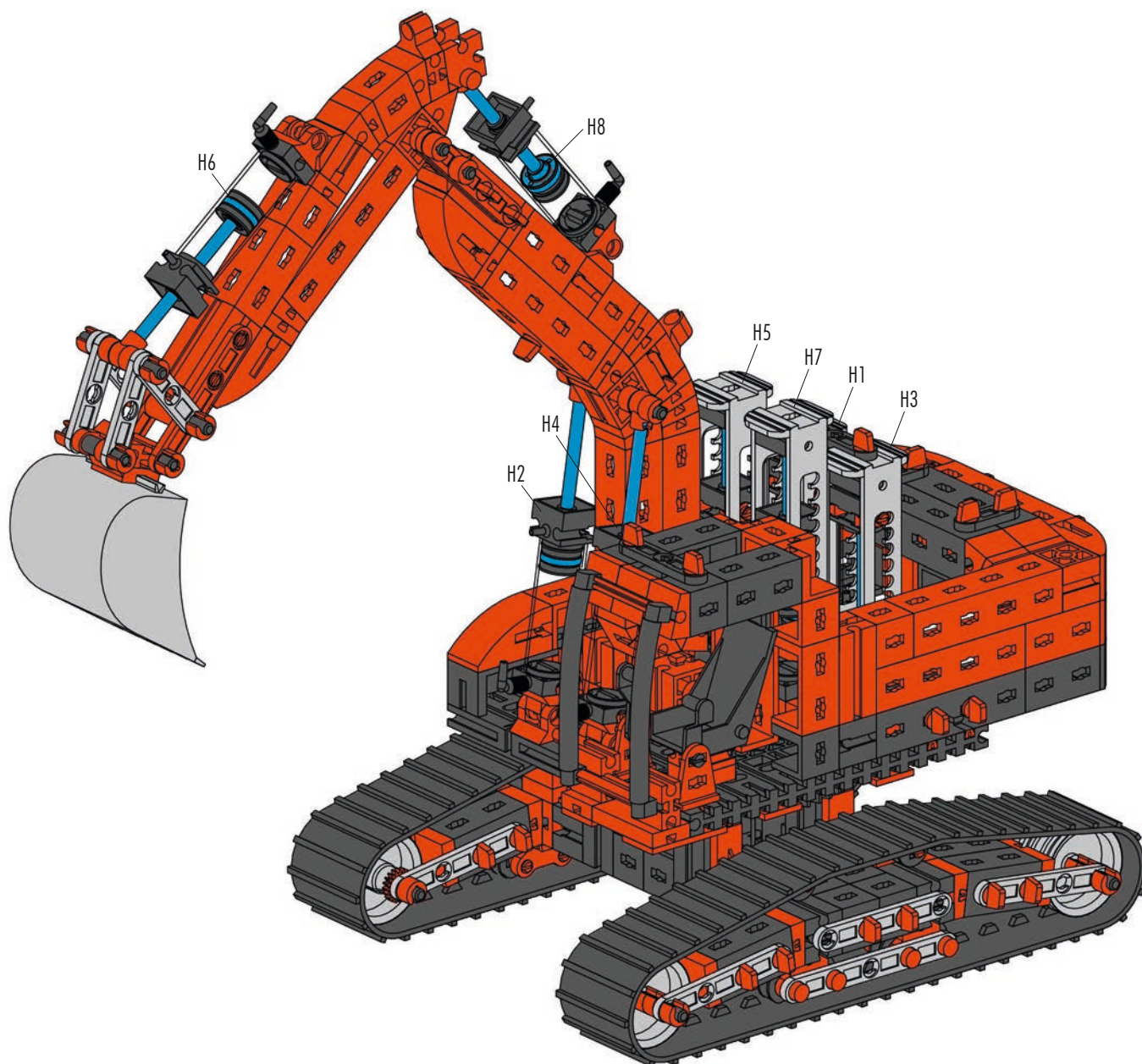
54

55



56





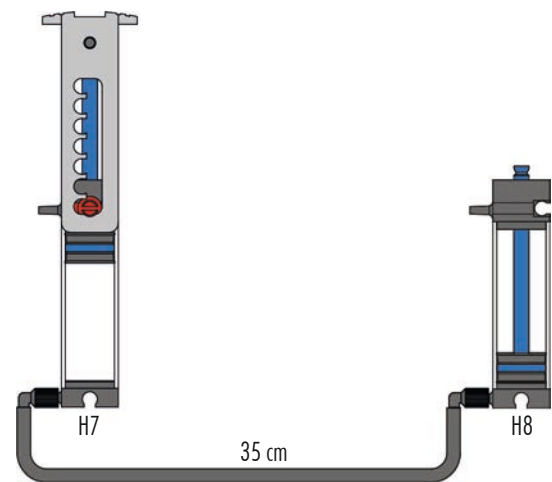
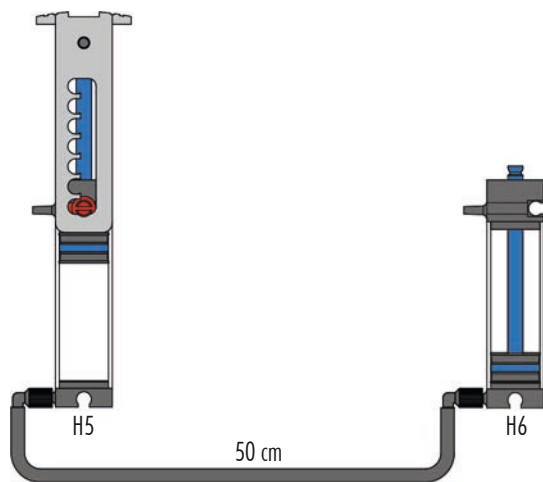
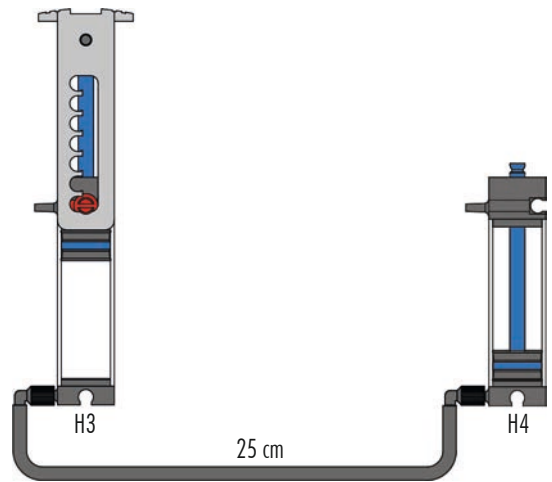
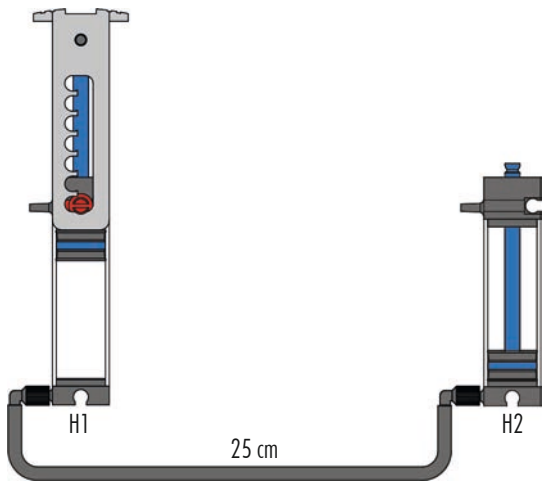
Zylinder mit Wasser befüllen: siehe didaktisches Begleitmaterial
 Fill cylinder with water: see instructional materials
 Remplir le cylindre d'eau : voir matériel d'accompagnement didactique
 Cilinder vullen met water: zie didactisch materiaal
 Llenar cilindro con agua: véase material didáctico adjunto
 Encher cilindro com água: ver o material didático de apoio
 Riempire il cilindro con acqua: vedere il materiale didattico allegato
 Наполнение цилиндра водой: см. сопроводительный дидактический материал
 为汽缸加水：参见教学材料

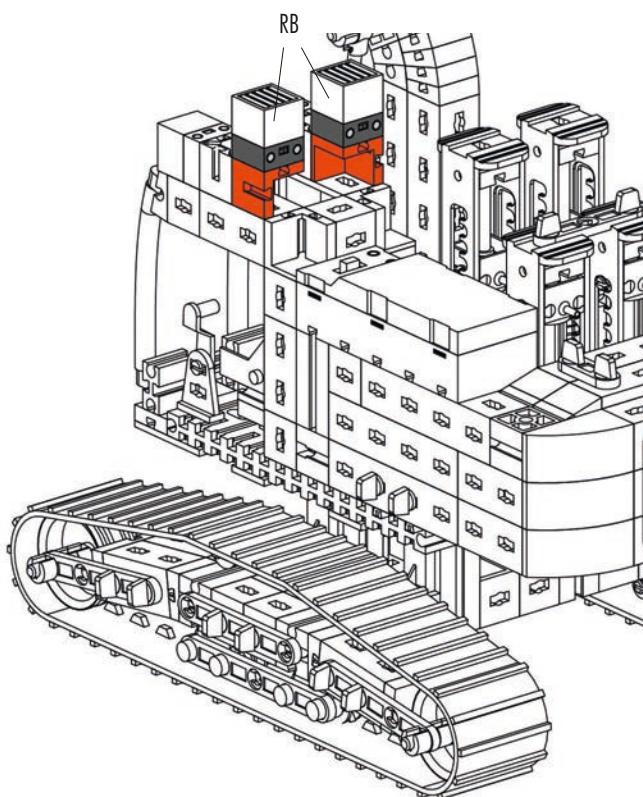
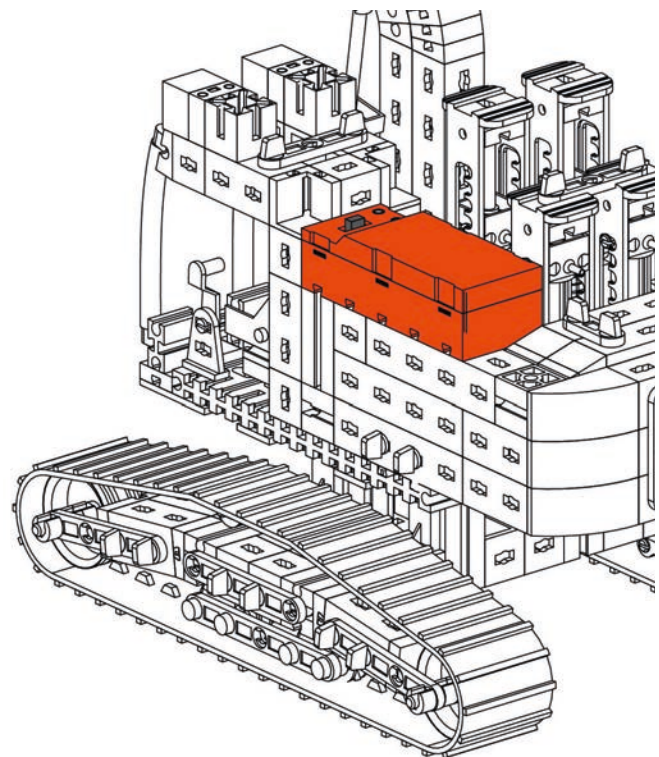
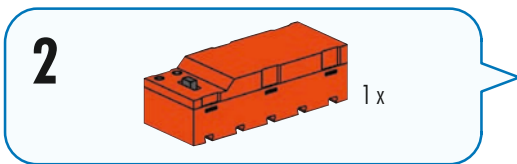
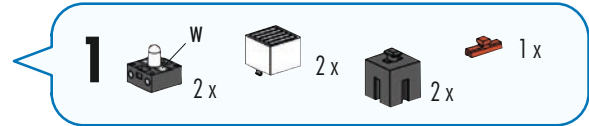
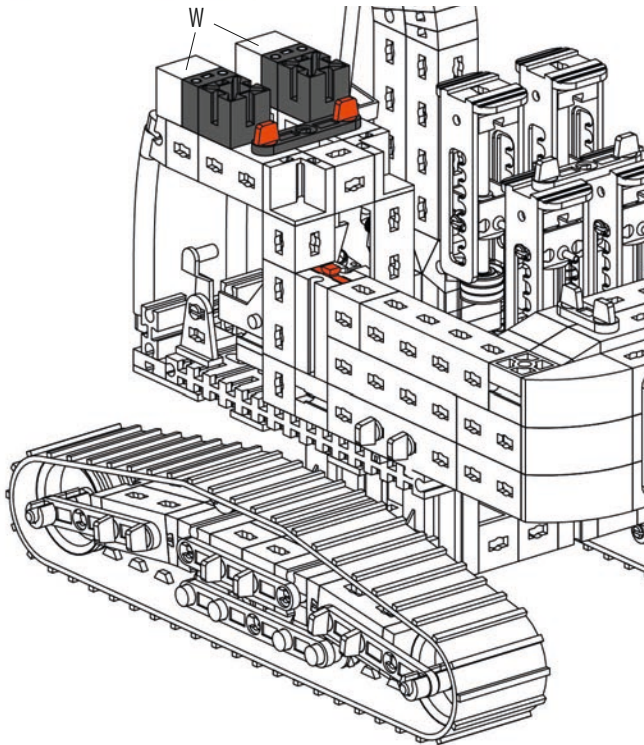
www.fischertechnik-elearning.com

Schlauchanschlussplan
Air line layout plan
Plan de raccordement de conduits

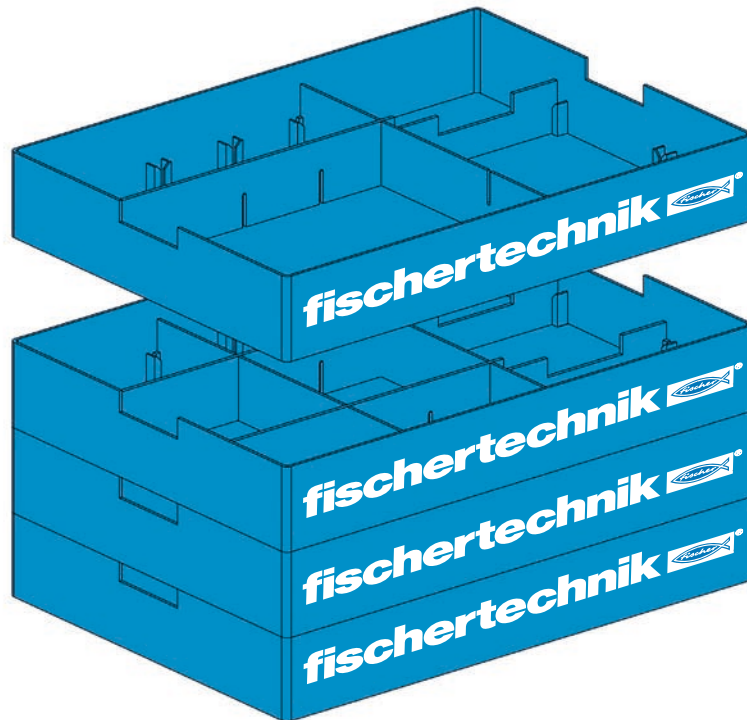
Aansluitschema van slang
Racor de empalme
Plano de conexão de mangueira

Schema di allacciamento tubi
Схема подключения шлангов
软管连接图





Empfohlene Aufbewahrung:	4 x Aufbewahrungssystem Art.-Nr. 94828
Recommended storage:	4 x storage system Art No. 94828
Stockage conseillé :	4 x système de stockage Art n° 94828
Bewaaradvies:	4 x bewaarsysteem art.-nr. 94828
Consejos para guardar el producto:	4 x almacenamiento Art. N° 94828
Conservação recomendada:	4 x sistema de conservação n.º de art. 94828
Conservazione consigliata:	4 sistemi di conservazione, cod. prod. 94828
Рекомендуемое хранение:	4 x бокса для хранения. Арт.№ 94 828
推荐的保存方式 :	4个产品号为 94 828 的保存系统



Sortiervorschlag / Storage suggestion / Suggestion de classement / Sorteervoorstel / Propuesta de clasificación / Proposta de divisão / Proposta di sistemazione / Рекомендации по сортировке / 保存系统的分类建议:

www.fischertechnik.de/Sortiervorschläge



Hinweise zum Umweltschutz / Instructions for Environmental Protection / Remarques de protection de l'environnement / Bescherming van het milieu / Notas con respecto a la protección del medio ambiente / Instruções para a proteção do meio ambiente / Indicazioni sulla tutela ambientale / Указания по охране окружающей среды / 有关环保的提示 :

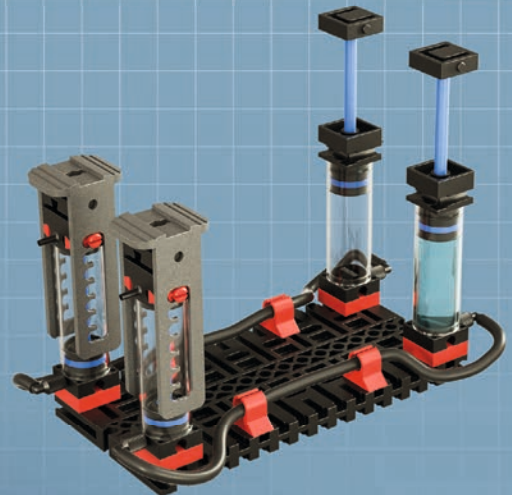
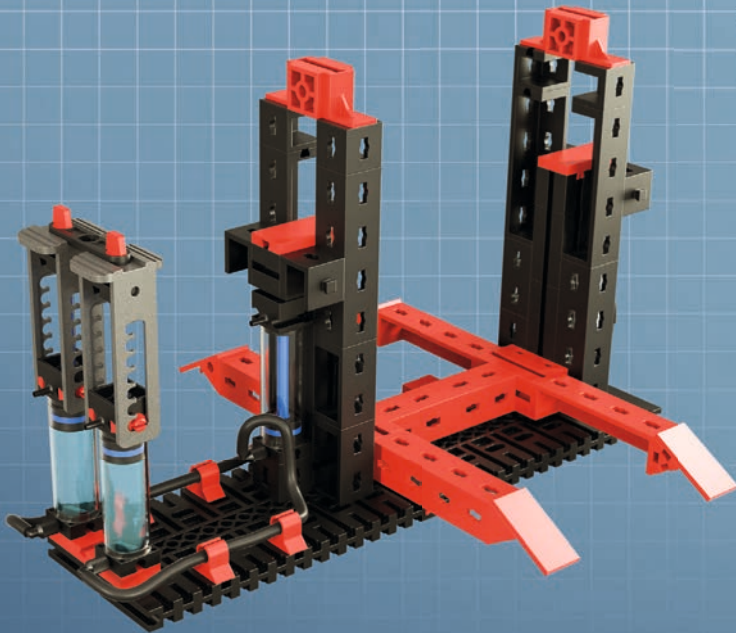
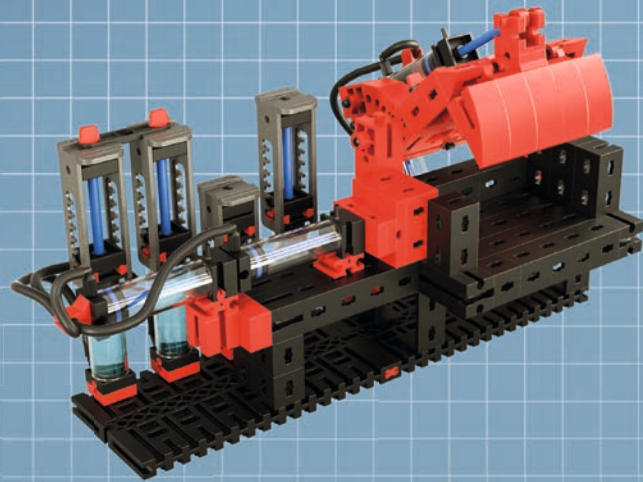
www.fischertechnik.de/environment



fischertechnik 

PROFI

fischertechnik GmbH
Klaus-Fischer-Str. 1
72178 Waldachtal
Germany
Phone: +49 74 43/12-43 69
Fax: +49 74 43/12-45 91
info@fischertechnik.de
www.fischertechnik.de



Hydraulic

5 MODELS